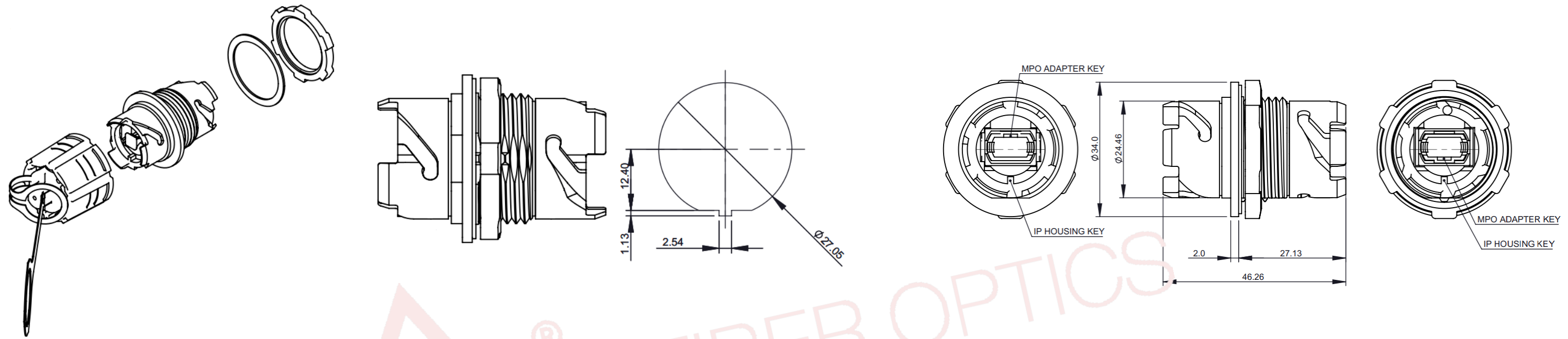
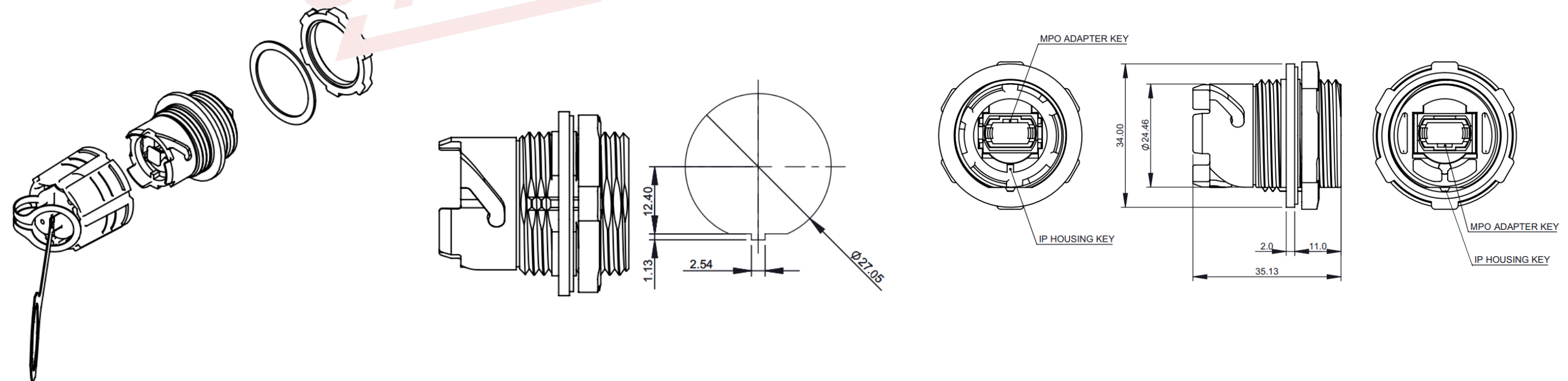


IP MPO inline adaptor



IP MPO bulkhead adaptor



ORDERING CODE

RXCX-XXX-XXX

- C** - Black MPO adaptor color
- I** - IP MPO bulkhead adaptor, **J** - IP MPO inline adaptor

REVISION-DATE: A - 22.10.2021	CHANGE:	DRAWN BY, DATE: M.Ruzbarsky 2021/10/22	TITLE: IP MPO bulkhead adaptor IP MPO inline adaptor		
New drawing		CHECKED BY, DATE: L.Miskerik			
REVISION-DATE:	CHANGE:	APPROVED BY, DATE: Matus/Smelh.	PRODUCT SPECIFICATION: -	DIMENSIONS IN MM UNLESS SPECIFIED	SCALE: NO SCALE
REVISION-DATE:	CHANGE:		PRODUCT NUMBER: RXXX-XXX-xxx	DRAWING NUMBER: 1-W-8701_1_A	SHEET NO. 1 of 1
		A	THIS DRAWING CONTAINS INFORMATION THAT IS PROPRIETARY TO SYLEX s.r.o AND ANY USE WITHOUT PRIOR WRITTEN PERMISSION IS PROHIBITED		
					SIZE A3