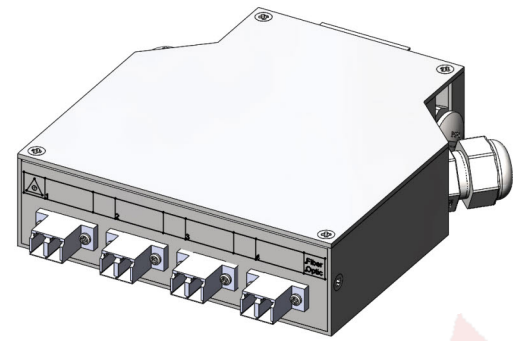
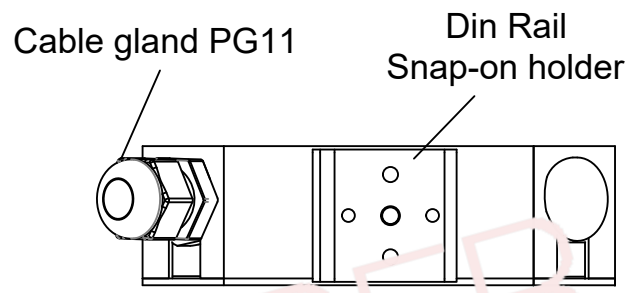


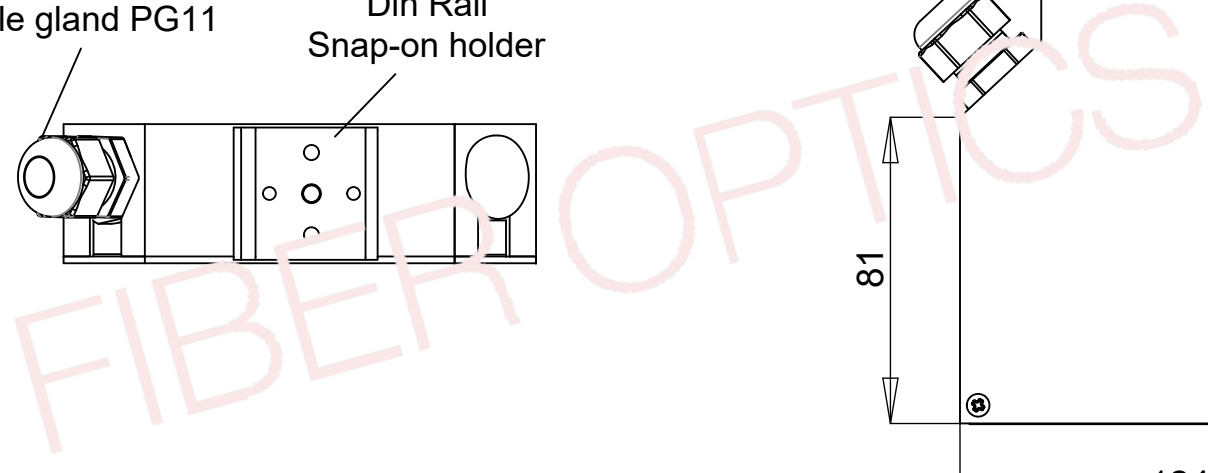
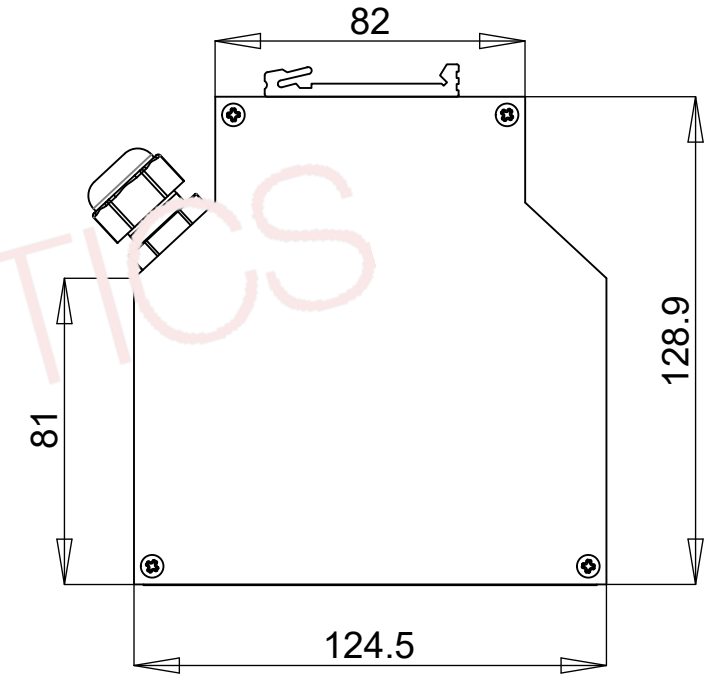
DRB 08x LC/PC



BASIC DIMENSION (BACK VIEW)



BASIC DIMENSION (TOP VIEW)



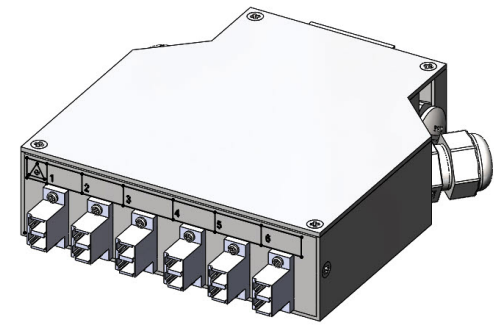
ORDERING CODE

DXXX-XXX-GRY

- GRY** grey din rail box
- 1** SX adapter plate, **2** DX adapter plate
- X** no pigtail, **S** with pigtail
- L** LC/UPC, **A** LC/APC, **X** no adapter
- X** empty, **9** OS2, **3** OM3, **4** OM4
- 04** 04F, **08** 08F, **12** 12F, **24** 24F
- D** DIN RAIL BOX

* OTHER CONNECTOR TYPES ON REQUEST

DRB 12x LC/PC



REVISION-DATE: A - 21.10.2019	CHANGE:	DRAWN BY, DATE: M.Ruzbarsky 2019/10/21	TITLE: Din Rail Box - LC adapters		
New drawing		CHECKED BY, DATE: Pavlov/Matúš 2019/10/21			
REVISION-DATE:	CHANGE:	APPROVED BY, DATE: I.Brestovanská 2019/10/21	PRODUCT SPECIFICATION: -	DIMENSIONS IN MM UNLESS SPECIFIED	SCALE: NO SCALE
REVISION-DATE: X - DD.MM.YYYY	CHANGE:	PRODUCT NUMBER: DXXX-XXX-GRY	DRAWING NUMBER: 1-W-7389_1_A	SHEET NO. 1 of 1	
		THIS DRAWING CONTAINS INFORMATION THAT IS PROPRIETARY TO SYLEX s.r.o AND ANY USE WITHOUT PRIOR WRITTEN PERMISSION IS PROHIBITED			SIZE A3