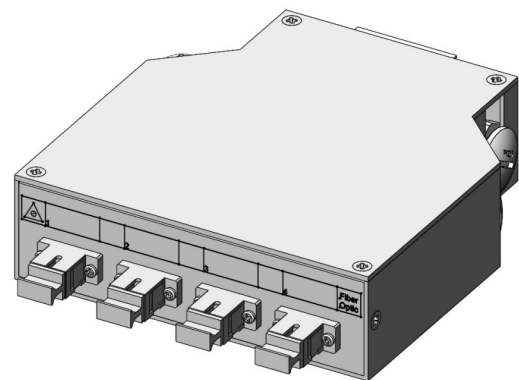
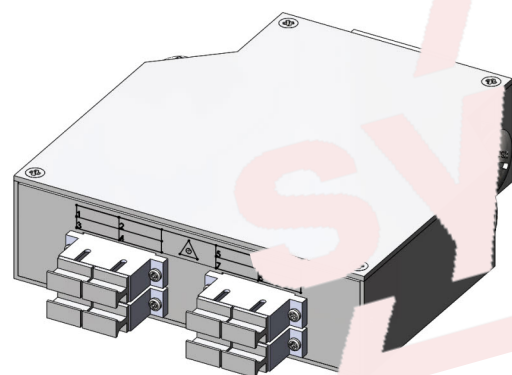


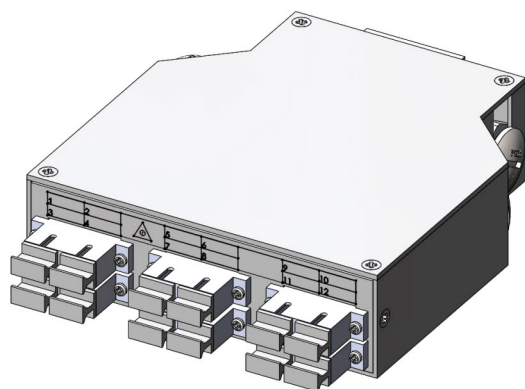
### DRB 04x SC/PC



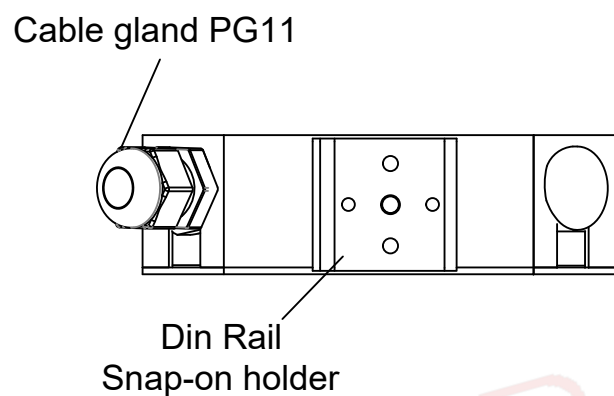
### DRB 08x SC/PC



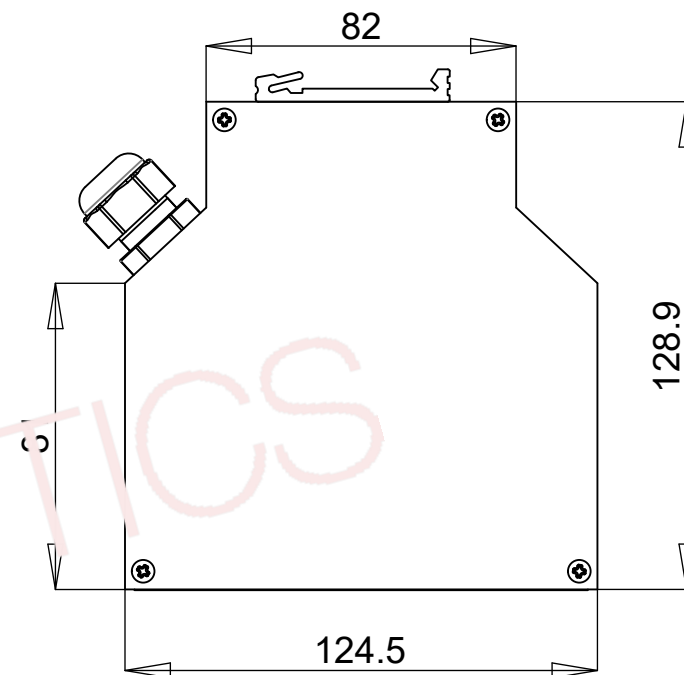
### DRB 12x SC/PC



### BASIC DIMENSION (BACK VIEW)



### BASIC DIMENSION (TOP VIEW)



### ORDERING CODE

**DXXX-XXX-GRY**

- D** DIN RAIL BOX
- X** empty, **9** OS2, **3** OM3, **4** OM4
- S** SC/UPC, **B** SC/APC, **X** no adapter
- X** no pigtail, **S** with pigtail
- 1** SX adapter plate, **2** DX adapter plate
- GRY** grey din rail box

REVISION-DATE: A - 21.10.2019	CHANGE:	DRAWN BY, DATE: M.Ruzbarsky 2019/10/21	TITLE: Din Rail Box - SC adapters		
New drawing		CHECKED BY, DATE: Pavlov/Matúš 2019/10/21			
REVISION-DATE:	CHANGE:	APPROVED BY, DATE: I.Brestovanská 2019/10/21	PRODUCT SPECIFICATION: -	DIMENSIONS IN MM UNLESS SPECIFIED	SCALE: NO SCALE
REVISION-DATE: X - DD.MM.YYYY	CHANGE:	PRODUCT NUMBER: DXXX-XXX-GRY	DRAWING NUMBER: 1-W-7388_1_A	SHEET NO. 1 of 1	
		THIS DRAWING CONTAINS INFORMATION THAT IS PROPRIETARY TO SYLEX s.r.o AND ANY USE WITHOUT PRIOR WRITTEN PERMISSION IS PROHIBITED			SIZE A3