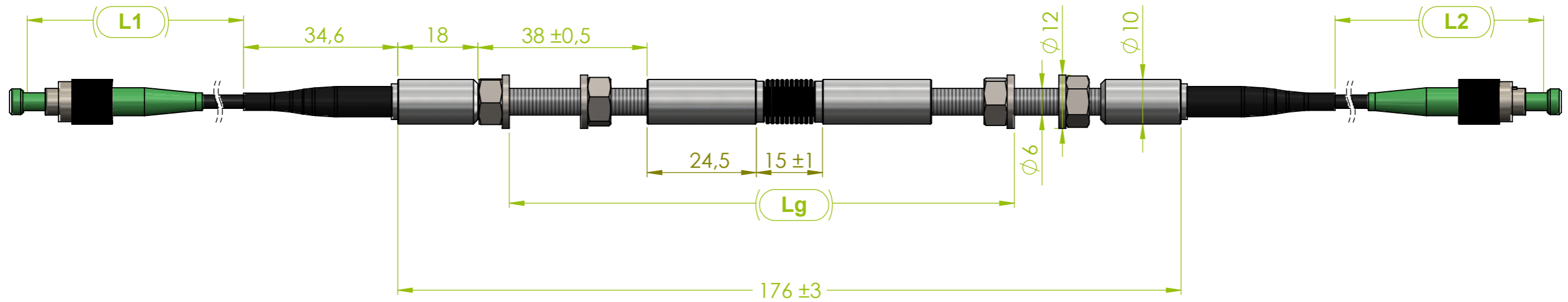


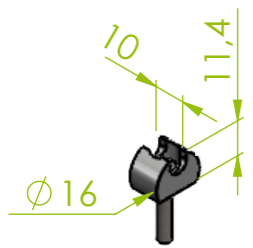
Standard version:



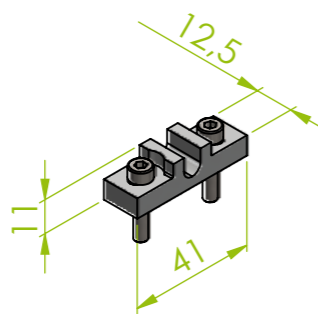
Optional accessories:

- Mounting Brackets:

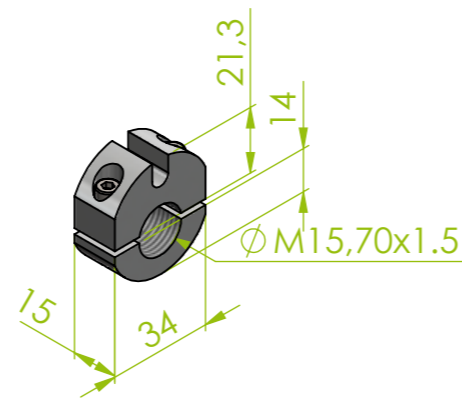
MBS-03



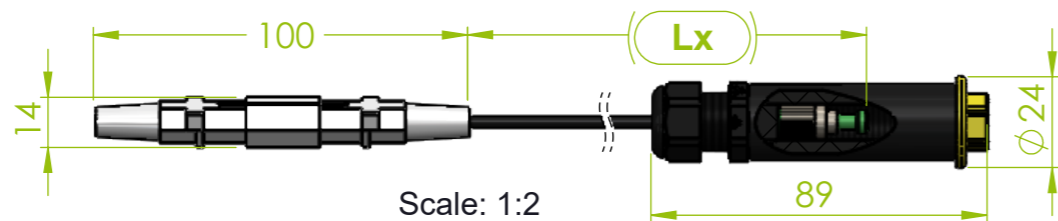
MBS-04



MBS-05



- LCP-03 Longer Dyneema cable pigtail with 1x WSP-02 (Watertight Splice Protection) and with 1x WCP-01 Watertight Connector Protection 1x FC/APC IP67:



Parameter	Length	Tolerance
L1	1000 mm (standard)	±50 mm
L2	1000 mm (standard)	±50 mm
Lg	min. 77+bracket width / max.126-bracket width	±2 mm
Lx	Optional: Custom-Defined Length	±xx mm

TITLE: MS-03 Mountable Strain Sensor			
REVISION: F	SCALE: 1:1	DRAWN BY, DATE: Branislav Pikus 15.07.2019	
	STATUS: In Work	CHECKED BY, DATE: Branislav Pikus 27.11.2020	
	DIMENSIONS IN MM (UNLESS SPECIFIED)	APPROVED BY, DATE: Tomáš Salát 27.11.2020	
NAME OF CAD FILE: MS-03 WEB	PRODUCT NUMBER: F-MSX-003-xxx-xxx/xx/xxxx	DRAWING NUMBER: MS-03 WEB	SHEET No: 1 of 1
THIS DRAWING CONTAINS INFORMATION THAT IS PROPERTY OF SYLEX s.r.o AND SHOULD NOT BE USED WITHOUT WRITTEN PERMISSION			SIZE: A3