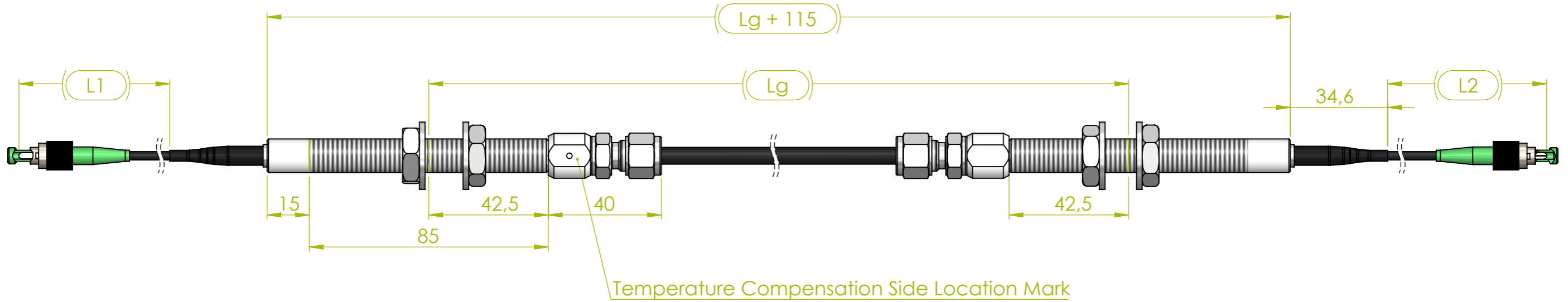
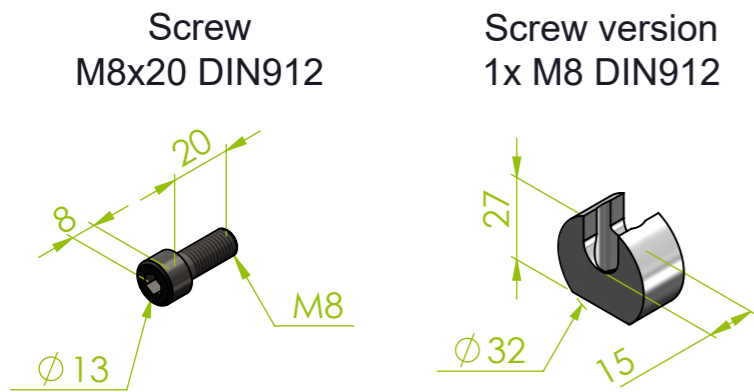


Standard version:

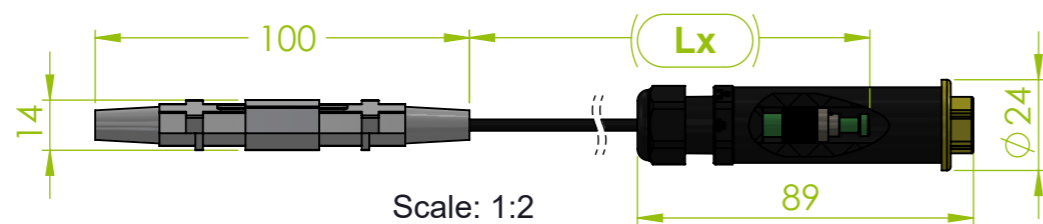


Optional accessories:

- Mounting Brackets MBS-01:

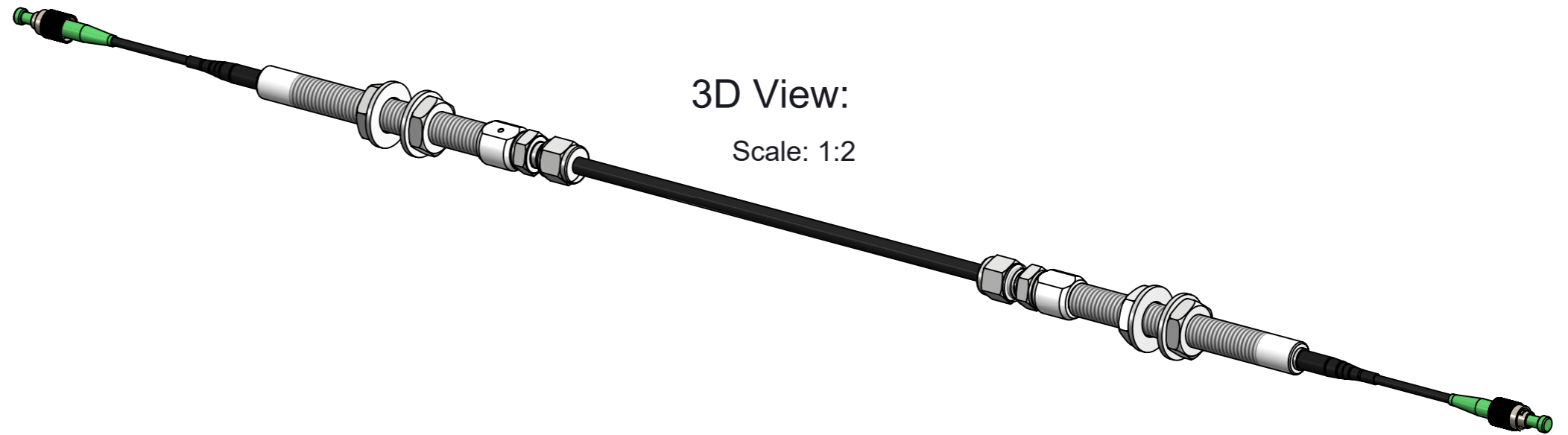


- LCP-03 Longer Dyneema cable pigtail with 1x WSP-02 (Watertight Splice Protection) and with 1x WCP-01 Watertight Connector Protection 1x FC/APC IP67:



3D View:

Scale: 1:2



Parameter	Length	Tolerance
L1	1000 mm (standard)	±50 mm
L2	1000 mm (standard)	±50 mm
Lg	min. 350mm / max.10.000mm	±5 mm
Lx	Optional: Custom-Defined Length	±xx mm

TITLE: SC-01 Strain cable Sensor			
REVISION: A	SCALE: 1:1.5	DRAWN BY, DATE: Branislav Pikus 24.03.2021	
	STATUS: Approve by SYLEX	CHECKED BY, DATE: Branislav Pikus 24.03.2021	
	DIMENSIONS IN MM (UNLESS SPECIFIED)	APPROVED BY, DATE: Tomáš Salát 24.03.2021	
NAME OF CAD FILE: SC-01 WEB	PRODUCT NUMBER: F-SCX-001-xxx-xxx/xx/xxxx	DRAWING NUMBER: SC-01 WEB	SHEET No: 1 of 1
THIS DRAWING CONTAINS INFORMATION THAT IS PROPERTY OF SYLEX s.r.o AND SHOULD NOT BE USED WITHOUT WRITTEN PERMISSION			SIZE A3