

10

9

8

7

6

5

4

3

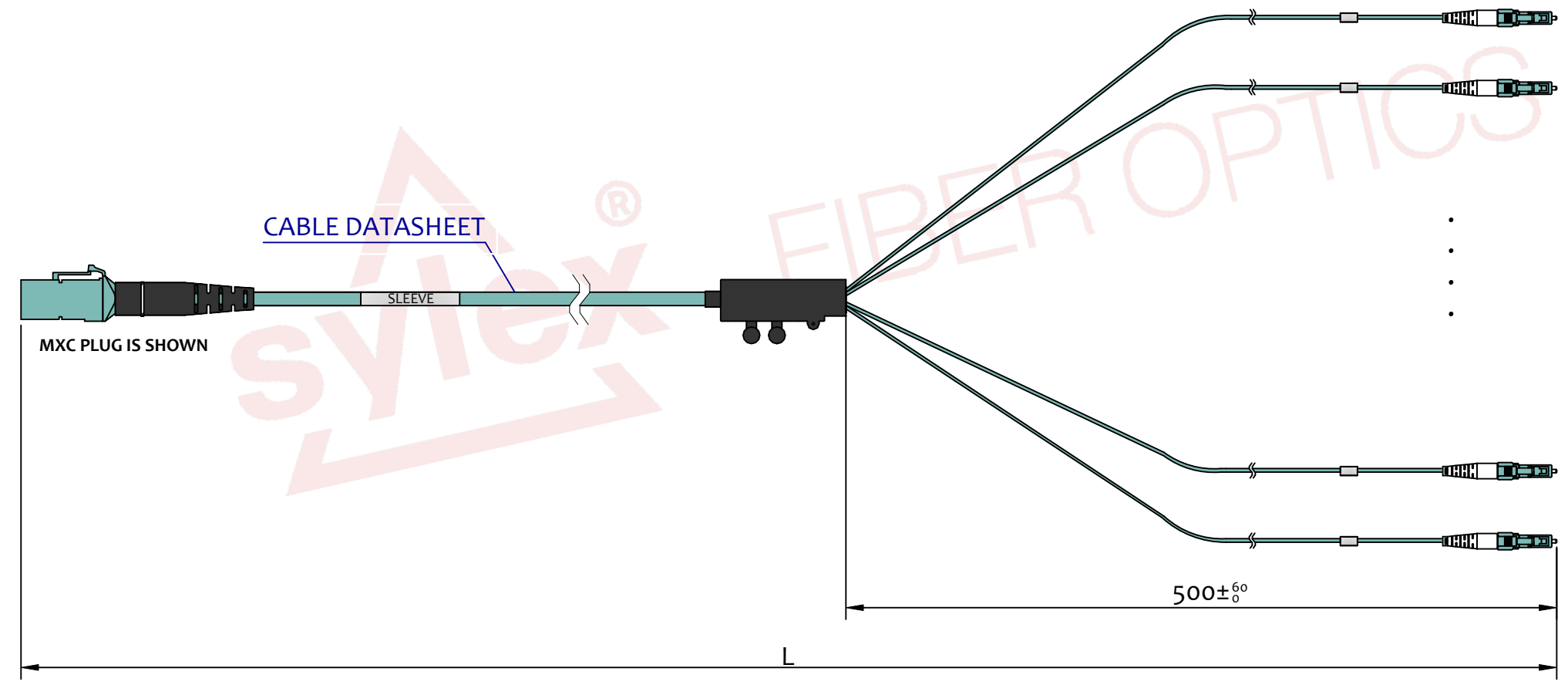
2

1

SIDE A

SIDE B

MXC	LC
1	1
2	2
3	3
4	4
5	5
6	6
7	7
8	8
9	9
10	10
11	11
12	12
13	13
14	14
15	15
16	16



NOTES :

- 1 - DUST CAPS ARE INCLUDED, BUT NOT SHOWN
- 2 - MXC: OM3, OM4 - IL<0.6dB , RL>25dB , 850nm (CONNECTOR VALUE)  
LC: OM3, OM4 - IL<0.25dB , RL>30dB , 850nm (CONNECTOR VALUE)  
  
IL CONNECTOR VALUE ACCORDING IEC 61300-3-4 method B  
RL CONNECTOR VALUE ACCORDING IEC 61300-3-6
- 3 - CUMULATIVE TEST REPORT OF MEASURED IL, RL VALUES SENT ON DEMAND IN ELECTRONIC FORM
- 4 - ASSEMBLY PACKED IN SEALED PE BAG  
BULK PACK IN OUTER CARDBOARD BOX
- 5 - TRACEBILITY LABEL ON THE CABLE CONTAINS SERIAL NUMBER AND ASSEMBLY LENGTH

ASSEMBLY LENGTH	TOLERANCE
0-1.00m	+0.08 -0.00
+1.01m	+0.11 -0.00

ORDERING CODE

**B16X-LX4-xxx-3**

- 3** ROUND CABLE
  - xxx** cable length [001 = 1m, 0015 = 1.5m]
  - 4** 2,0mm LC CONNECTOR
  - 1** MXC RECEPTACLE, **V** PRIZM MT  
**Q** MXC PLUG, **Y** MXC PLUG PROTRUDED
  - L** LC/PC \*
  - 3** OM3, **4** OM4
  - 16** 16F
  - B** On-Board Optics
- \* OTHER CONNECTOR TYPES ON REQUEST

REVISION-DATE: A - 17.03.2020 CHANGE: New drawing	DRAWN BY, DATE: M.Ruzbarsky 2020/03/17	TITLE: 01x MXC - 16x LC/PC 16F ROUND FANOUT		
REVISION-DATE: CHANGE:	CHECKED BY, DATE: Matus/Smelh. 2020/03/17	APPROVED BY, DATE: L.Miskerik 2020/03/17	PRODUCT SPECIFICATION: -	DIMENSIONS IN MM UNLESS SPECIFIED
REVISION-DATE: CHANGE:	PRODUCT NUMBER: B16X-LX4-xxx-3	DRAWING NUMBER: 1-W-8049_1_A	SCALE: NO SCALE	SHEET NO. 1 of 1
			THIS DRAWING CONTAINS INFORMATION THAT IS PROPRIETARY TO SYLEX s.r.o AND ANY USE WITHOUT PRIOR WRITTEN PERMISSION IS PROHIBITED	
<b>A</b>			SIZE A3	

10

9

8

7

6

5

4

3

2

1