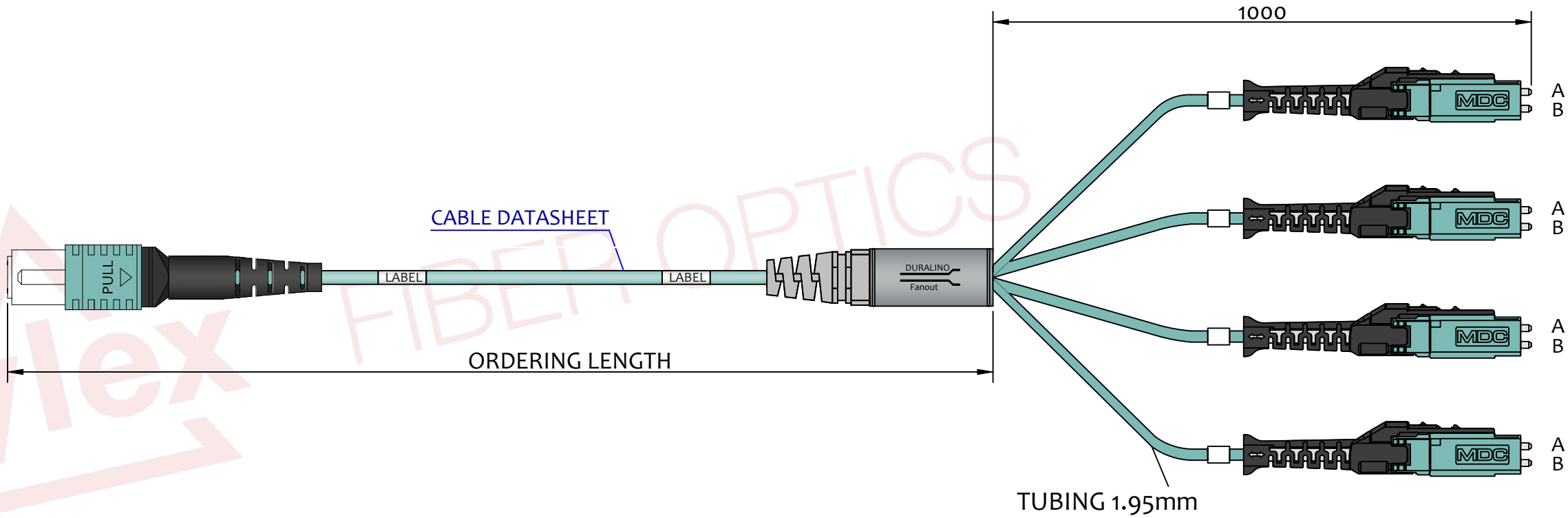


CONNECTION TABLE	
MTP	MDC
1	1B
2	2B
3	3B
4	4B
5	
6	
7	
8	
9	4A
10	3A
11	2A
12	1A



NOTES :

- DUST CAPS ARE INCLUDED, BUT NOT SHOWN
- CUMULATIVE TEST REPORT OF MEASURED IL AND RL VALUES SENT ON DEMAND IN ELECTRONIC FORM
- MDC: OM3, OM4, OM5 - IL<0.25dB , RL>30dB , 850nm & 1300nm
MDC: OS2 - IL<0.25dB, MDC/APC - RL>60dB, 1310nm & 1550nm
MDC/UPC - RL>50dB, 1310nm & 1550nm
MTP: OM3, OM4, OM5 - IL<0.35dB , RL>20dB , 850nm & 1300nm
MTP: OS2 - IL<0.35dB, RL>50dB, 1310nm & 1550nm
IL CONNECTOR VALUE ACCORDING IEC 61300-3-4 method B
RL CONNECTOR VALUE ACCORDING IEC 61300-3-6
- VISUAL ASPECT CHECK ACCORDING TO IEC 61300-3-35.
END FACE GEOMETRY ACCORDING TO TELCORDIA GR-326 (Singlefiber connector)
END FACE GEOMETRY ACCORDING TO IEC 61755-3-31 (Multifiber connector - APC polished)
END FACE GEOMETRY ACCORDING TO IEC 63267-3-31 (Multifiber connector - FLAT polished)
- ASSEMBLY PACKED IN SEALED PE BAG, BULK PACK IN OUTER CARDBOARD BOX.
- CABLE LENGTH TOLERANCES AND FANOUT LENGTH TOLERANCES ACCORDING TO SYLEX STANDARD [1-S-8000](#)
- TRACEABILITY LABEL ON THE CABLE CONTAINS SERIAL NUMBER, DATE OF PRODUCTION AND ASSEMBLY LENGTH

ORDERING CODE

X08X-XV2-xxx-Q

- xxx cable length [050 = 50m, 001 = 1m]
- 2 1.95mm tubing
- V MDC (Sr)
- F MTP(F) 12F, M MTP(M) 12F, J MTP(F) PRO 12F, P MTP(M) PRO 12F
- 9 OS2, 3 OM3, 4 OM4, 5 OM5
- 08 8F
- F fanout, H fanout with grommet*
- * SHOWN TRUNK VERSION WITH GROMMET [H]

REVISION-DATE: A - 16.09.2020	CHANGE:	DRAWN BY, DATE: P. Gaspar 2020/09/16	TITLE: 8f MTP - MDC Fanout		
NEW DRAWING		CHECKED BY, DATE: Pavlov/Matúš			
REVISION-DATE:	CHANGE:	APPROVED BY, DATE: I. Brestovanská	PRODUCT SPECIFICATION: -	DIMENSIONS IN MM UNLESS SPECIFIED	SCALE: NO SCALE
REVISION-DATE: X - DD.MM.YYYY	CHANGE:	PRODUCT NUMBER: X08X-XV2-xxx	DRAWING NUMBER: 1-W-8022_1_A	SHEET NO. 1 of 1	
A			THIS DRAWING CONTAINS INFORMATION THAT IS PROPRIETARY TO SYLEX s.r.o AND ANY USE WITHOUT PRIOR WRITTEN PERMISSION IS PROHIBITED		
			SIZE A3		