

CABLE DATASHEET NOTE:

- 1 - 900um indoor cable ([link](#)) / outdoor cable ([link](#))
- 2 - 2.0mm indoor cable ([link](#)) / outdoor cable ([link](#))

NOTES :

- 1 - DUST CAPS ARE INCLUDED, BUT NOT SHOWN
- 2 - CUMULATIVE TEST REPORT OF MEASURED OPTICAL PARAMETERS SENT ON DEMAND IN ELECTRONIC FORM
- 3 - OS2 - IL<0.5dB, UPC - RL>50dB, 1310nm & 1550nm
APC - RL>65dB, 1310nm & 1550nm
OM1, OM3, OM4 - IL<0.5dB, RL>20dB, 850nm & 1300nm
IL CONNECTOR VALUE ACCORDING IEC 61300-3-4 method B
RL CONNECTOR VALUE ACCORDING IEC 61300-3-6
- 4 - VISUAL ASPECT CHECK ACCORDING TO IEC 61300-3-35.
END FACE GEOMETRY ACCORDING TO TELCORDIA GR-326
- 5 - ASSEMBLY PACKED IN SEALED PE BAG.
- 6 - CABLE LENGTH TOLERANCES ACCORDING TO SYLEX STANDARD [1-S-8000](#)
- 7 - TRACEABILITY LABEL ON THE CABLE CONTAINS SERIAL NUMBER, DATE OF PRODUCTION AND ASSEMBLY LENGTH

ORDERING CODE

R01X-XXX-xxx

- xxx cable length [050 = 50m, 001 = 1m]
- 9 900µm cable, 2 2.0mm cable
- 7 ARINC 801 UPC, 8 ARINC 801 APC, 9 ARINC 801 PC
- 7 ARINC 801 UPC, 8 ARINC 801 APC, 9 ARINC 801 PC
- 9 OS2, 1 OM1, 3 OM3, 4 OM4
- 01 01F
- R MIL/DEF PRODUCT

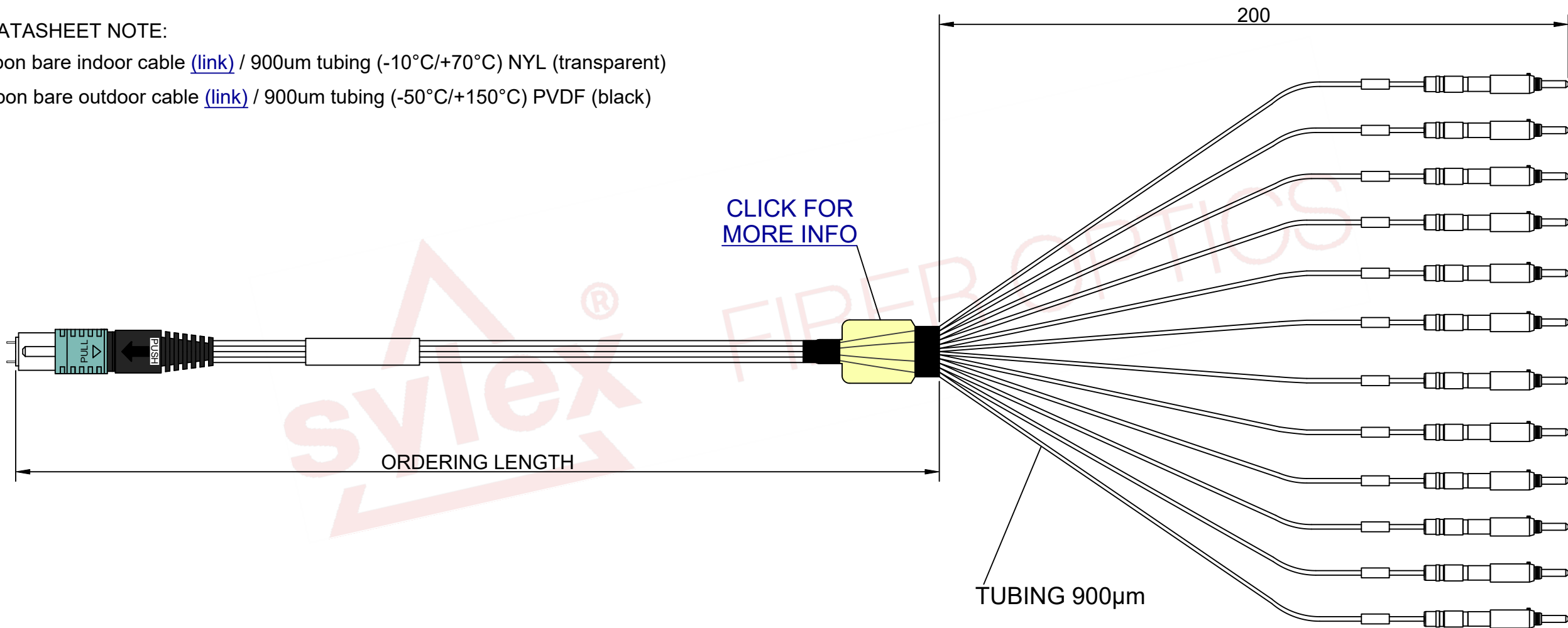
REVISION-DATE: A - 10.06.2020	CHANGE:	DRAWN BY, DATE: P. Gaspar 2020/06/10	TITLE: 01x Arinc 801 - 01x Arinc 801 SXJP		
NEW DRAWING		CHECKED BY, DATE: Pavlov/Matus 2020/06/10			
REVISION-DATE: X - DD.MM.YYYY	CHANGE:	APPROVED BY, DATE: I.Brestovanska 2020/06/10	PRODUCT SPECIFICATION: -	DIMENSIONS IN MM UNLESS SPECIFIED	SCALE: NO SCALE
XXX		PRODUCT NUMBER: R01X-XXX-xxx	DRAWING NUMBER: 1-W-7813_1_A	SHEET NO. 1 of 3	
REVISION-DATE: X - DD.MM.YYYY	CHANGE:	THIS DRAWING CONTAINS INFORMATION THAT IS PROPRIETARY TO SYLEX s.r.o AND SHOULD NOT BE USED WITHOUT WRITTEN PERMISSION			SIZE A3
XXX					

A

B

RIBBON DATASHEET NOTE:

- 1 - 12F ribbon bare indoor cable [\(link\)](#) / 900um tubing (-10°C/+70°C) NYL (transparent)
- 2 - 12F ribbon bare outdoor cable [\(link\)](#) / 900um tubing (-50°C/+150°C) PVDF (black)



NOTES :

- 1 - DUST CAPS ARE INCLUDED, BUT NOT SHOWN
- 2 - CUMULATIVE TEST REPORT OF MEASURED OPTICAL PARAMETERS SENT ON DEMAND IN ELECTRONIC FORM
- 3 - ARINC: OS2 - IL<0.5dB, UPC - RL>50dB, 1310nm & 1550nm
APC - RL>65dB, 1310nm & 1550nm
ARINC: OM1, OM3, OM4 - IL<0.5dB, RL>20dB, 850nm & 1300nm
MTP: OS2 - IL<0.35dB, RL>50dB, 1310nm & 1550nm
MTP: OM1, OM3, OM4 - IL<0.35dB, RL>20dB, 850nm & 1300nm
IL CONNECTOR VALUE ACCORDING IEC 61300-3-4 method B
RL CONNECTOR VALUE ACCORDING IEC 61300-3-6
- 4 - VISUAL ASPECT CHECK ACCORDING TO IEC 61300-3-35.
END FACE GEOMETRY ACCORDING TO TELCORDIA GR-326
AND IEC61755-3-31 FOR MTP
- 5 - ASSEMBLY PACKED IN SEALED PE BAG.
- 6 - CABLE LENGTH TOLERANCES AND FANOUT LENGTH TOLERANCES ACCORDING TO SYLEX STANDARD [1-S-8000](#)
- 7 - TRACEBILITY LABEL ON THE CABLE CONTAINS SERIAL NUMBER, DATE OF PRODUCTION AND ASSEMBLY LENGTH

ORDERING CODE

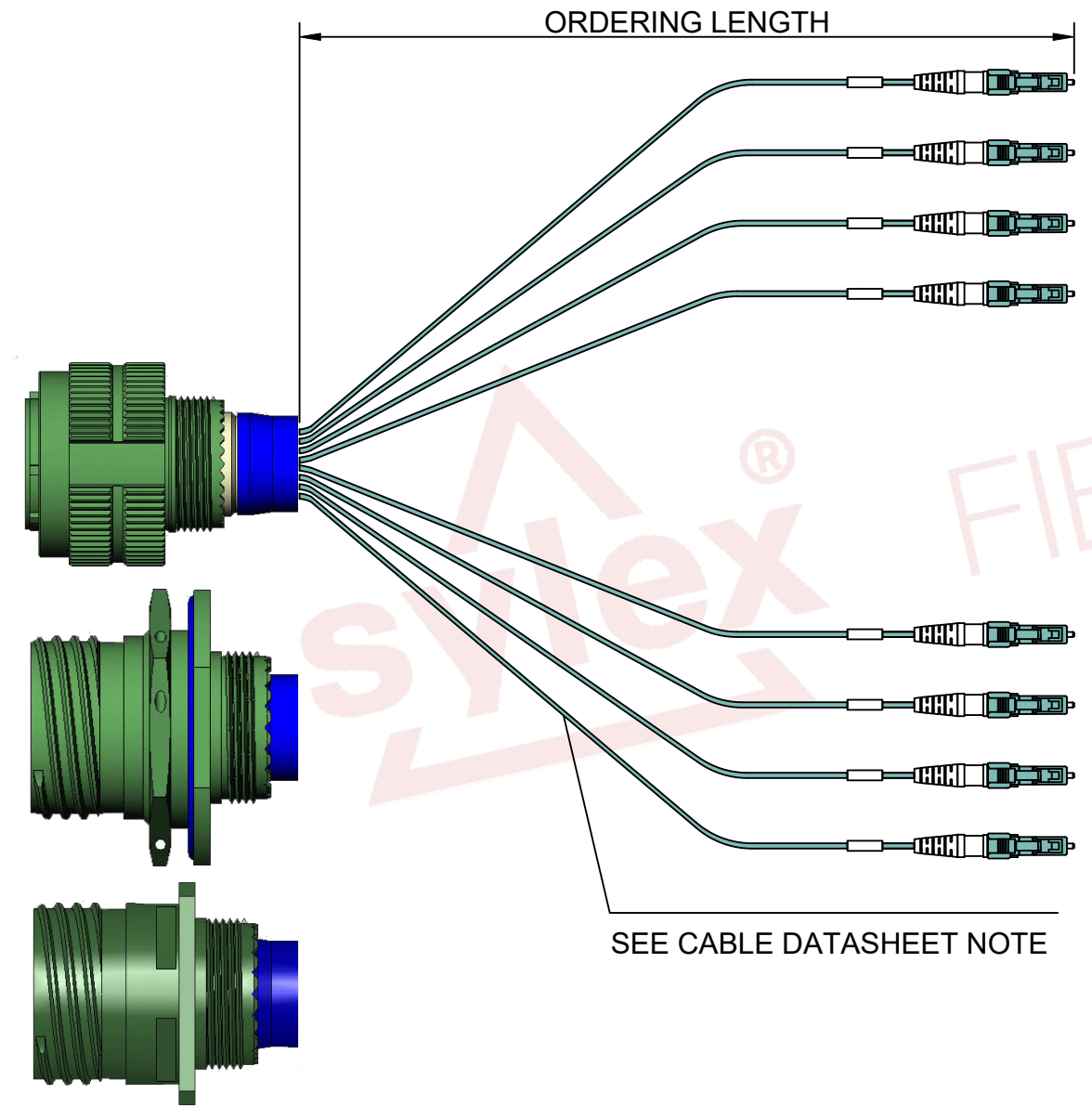
RXXX-XXX-xxx

- xxx cable length [050 = 50m, 001 = 1m]
 - X Ribbon
 - F MTP(F), M MTP(M), J MTP(F) PRO, P MTP(F) PRO
 - 7 ARINC 801 UPC, 8 ARINC 801 APC, 9 ARINC 801 PC, V Termini Socket, W Termini Plug
 - 9 OS2, 1 OM1, 3 OM3, 4 OM4
 - 06 6F, 08 8F, 12 12F *
 - R MIL/DEF PRODUCT
- * Number of terminated fibers

REVISION-DATE: A - 10.06.2020	CHANGE:	DRAWN BY, DATE: P. Gaspar 2020/06/10	TITLE: 1xMTP-Arinc 801 Slimfan fanout		
NEW DRAWING		CHECKED BY, DATE: Pavlov/Matus 2020/06/10			
REVISION-DATE: X - DD.MM.YYYY	CHANGE:	APPROVED BY, DATE: I.Brestovanska 2020/06/10	PRODUCT SPECIFICATION: -	DIMENSIONS IN MM UNLESS SPECIFIED	SCALE: NO SCALE
XXX		PRODUCT NUMBER: RXXX-XXX-xxx	DRAWING NUMBER: 1-W-7813_2_A	SHEET NO. 2 of 3	
REVISION-DATE: X - DD.MM.YYYY	CHANGE:	THIS DRAWING CONTAINS INFORMATION THAT IS PROPRIETARY TO SYLEX s.r.o AND SHOULD NOT BE USED WITHOUT WRITTEN PERMISSION			SIZE A3
XXX					

A

A



CABLE DATASHEET NOTE:

- 1 - 900um indoor cable ([link](#)) / outdoor cable ([link](#))
- 2 - 2.0mm indoor cable ([link](#)) / outdoor cable ([link](#))

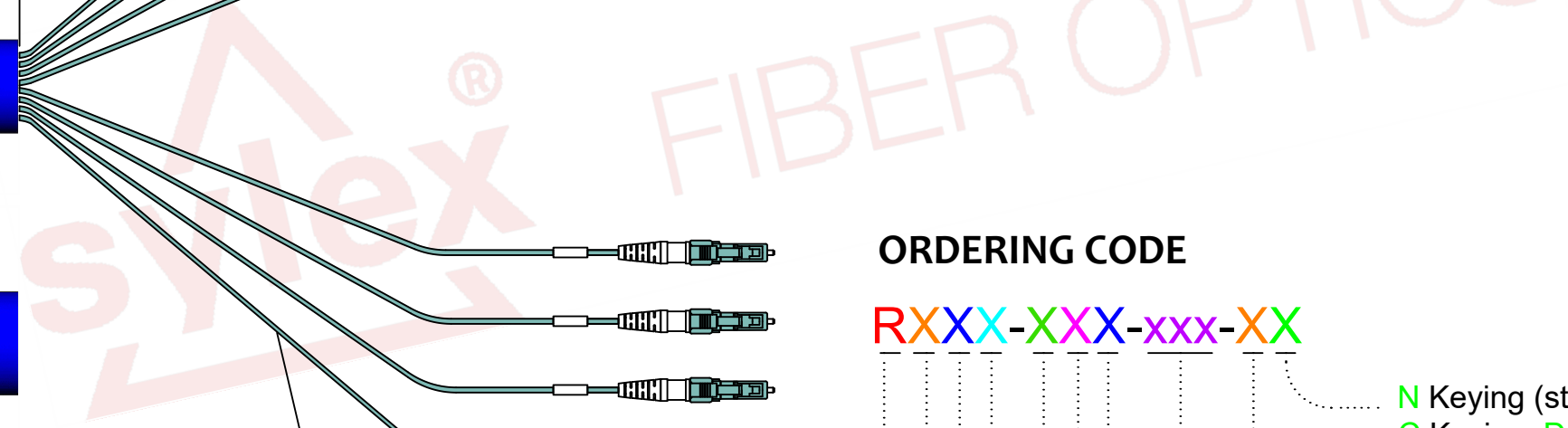
PLUG

RECEPTACLE JAM NUT

RECEPTACLE SQUARE

SEE CABLE DATASHEET NOTE

ORDERING LENGTH



ORDERING CODE

RXXX-XXX-xxx-XX

- N Keying (standard), A Keying, B Keying, C Keying, D Keying, E Keying
 - 1 Aluminum Olive drab, 2 Nickel plated aluminum, 3 Nickel plated composite, 4 Nickel aluminum bronze
 - xxx cable length [050 = 50m, 001 = 1m]
 - 9 900µm, 2 2.0mm
 - L LC/PC, A LC/APC, S SC/PC, B SC/APC *
 - 7 ARINC 801 UPC, 8 ARINC 801 APC, 9 ARINC 801 PC
 - 9 OS2, 1 OM1, 3 OM3, 4 OM4
 - 1 11-02, 2 13-04, 3 15-06, 4 17-08, 5 19-12, 6 21-16 **
 - P PLUG, R RECEPTACLE SQUARE, J RECEPTACLE JAM NUT
 - R MIL/DEF PRODUCT
- ** XX-YY = Shell size - No. of ports
* OTHER CONNECTOR TYPES ON REQUEST

- NOTES :
- 1 - DUST CAPS ARE INCLUDED, BUT NOT SHOWN
 - 2 - CUMULATIVE TEST REPORT OF MEASURED OPTICAL PARAMETERS SENT ON DEMAND IN ELECTRONIC FORM
 - 3 - ARINC: OM1, OM3, OM4 - IL<0.5dB, RL>20dB, 850nm & 1300nm
ARINC: OS2 - IL<0.5dB, UPC - RL>50dB, 1310nm & 1550nm
APC - RL>65dB, 1310nm & 1550nm

LC: OM1, OM3, OM4 - IL<0.25dB, RL>30dB, 850nm & 1300nm
LC: OS2 - IL<0.25dB, LC/APC - RL>60dB, 1310nm & 1550nm
LC/UPC - RL>50dB, 1310nm & 1550nm
IL CONNECTOR VALUE ACCORDING IEC 61300-3-4 method B
RL CONNECTOR VALUE ACCORDING IEC 61300-3-6
 - 4 - VISUAL ASPECT CHECK ACCORDING TO IEC 61300-3-35.
END FACE GEOMETRY ACCORDING TO TELCORDIA GR-326
 - 5 - ASSEMBLY PACKED IN SEALED PE BAG.
 - 6 - CABLE LENGTH TOLERANCES AND FANOUT LENGTH TOLERANCES ACCORDING TO SYLEX STANDARD [1-S-8000](#)
 - 7 - TRACEABILITY LABEL ON THE CABLE CONTAINS SERIAL NUMBER, DATE OF PRODUCTION AND ASSEMBLY LENGTH

REVISION-DATE: A - 10.06.2020	CHANGE:	DRAWN BY, DATE: P. Gaspar 2020/06/10	TITLE: ARINC 801 with SHELL - LC		
NEW DRAWING		CHECKED BY, DATE: Pavlov/Matus 2020/06/10			
REVISION-DATE: X - DD.MM.YYYY	CHANGE:	APPROVED BY, DATE: I.Brestovanska 2020/06/10	PRODUCT SPECIFICATION: -	DIMENSIONS IN MM UNLESS SPECIFIED	SCALE: NO SCALE
XXX		PRODUCT NUMBER: RXXX-XXX-xxx-XXX	DRAWING NUMBER: 1-W-7813_3_A	SHEET NO. 3 of 3	
REVISION-DATE: X - DD.MM.YYYY	CHANGE:	THIS DRAWING CONTAINS INFORMATION THAT IS PROPRIETARY TO SYLEX s.r.o AND SHOULD NOT BE USED WITHOUT WRITTEN PERMISSION			SIZE A3
XXX					