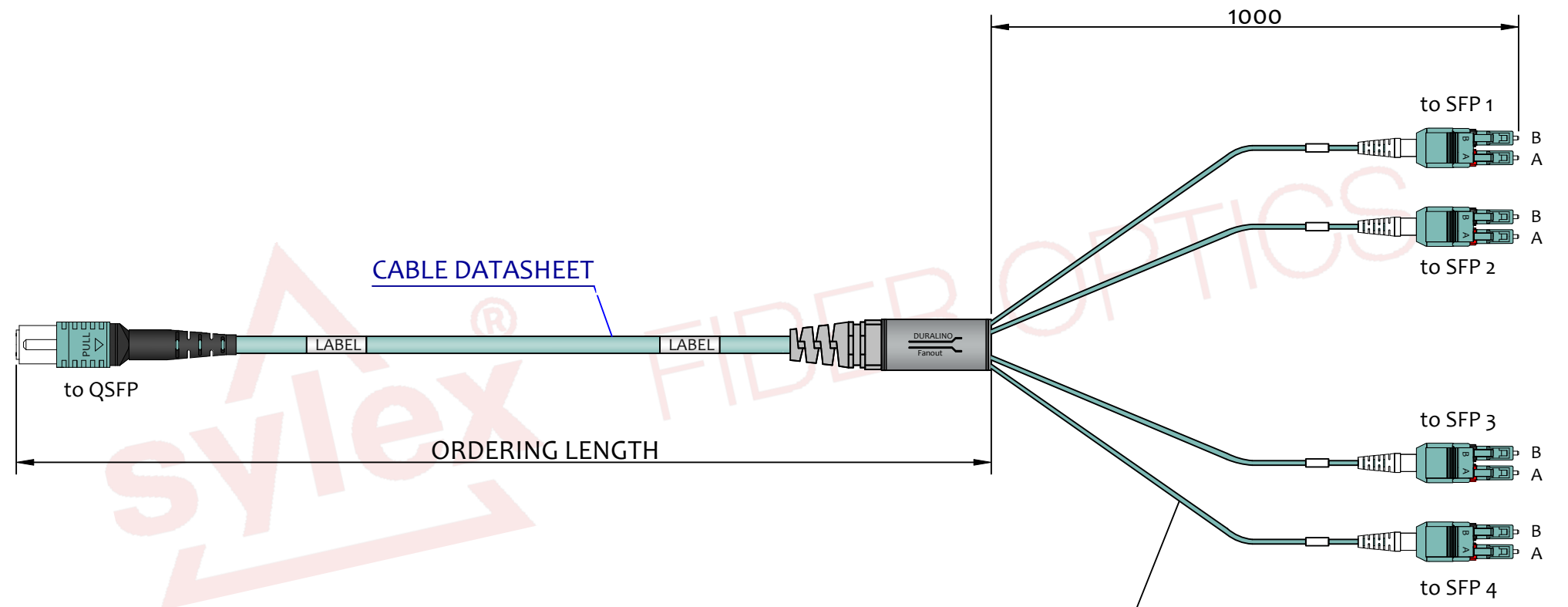


**MTP PRO connector optional**

**CONNECTION TABLE**

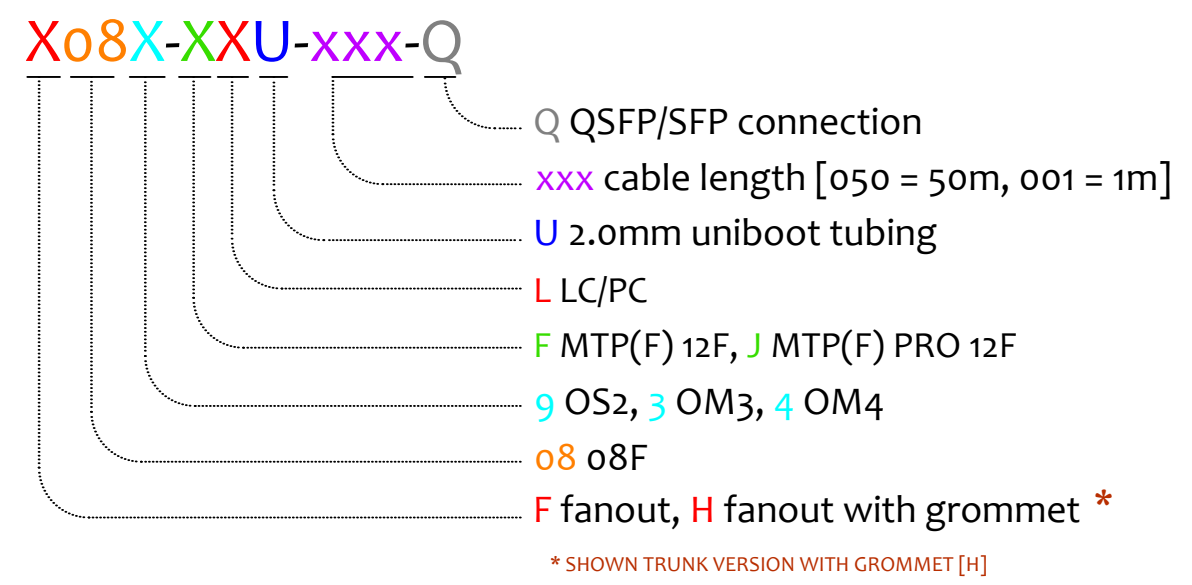
CONNECTION TABLE	
MTP	LC
1	1B
2	2B
3	3B
4	4B
5	
6	
7	
8	
9	4A
10	3A
11	2A
12	1A



**NOTES :**

- DUST CAPS ARE INCLUDED, BUT NOT SHOWN
- CUMULATIVE TEST REPORT OF MEASURED IL AND RL VALUES SENT ON DEMAND IN ELECTRONIC FORM
- LC: OM3, OM4 - IL<0.25dB , RL>30dB , 850nm & 1300nm  
LC: OS2 - IL<0.25dB, LC/APC - RL>60dB, 1310nm & 1550nm  
LC/UPC - RL>50dB, 1310nm & 1550nm  
  
MTP: OM3, OM4 - IL<0.35dB , RL>20dB , 850nm & 1300nm  
MTP: OS2 - IL<0.35dB, RL>50dB, 1310nm & 1550nm  
  
IL CONNECTOR VALUE ACCORDING IEC 61300-3-4 method B  
RL CONNECTOR VALUE ACCORDING IEC 61300-3-6
- VISUAL ASPECT CHECK ACCORDING TO IEC 61300-3-35.  
END FACE GEOMETRY ACCORDING TO TELCORDIA GR-326 (Singlefiber connector)  
END FACE GEOMETRY ACCORDING TO IEC 61755-3-31 (Multifiber connector - APC polished)  
END FACE GEOMETRY ACCORDING TO IEC 63267-3-31 (Multifiber connector - FLAT polished)
- ASSEMBLY WITH LENGTH BELOW 50MTRS PACKED IN SEALED PE BAG,  
BULK PACK IN OUTER CARDBOARD BOX.  
LONGER ASSEMBLY THEN 50MTRS COILED ON CARDBOARD REEL,  
INSERTED IN CARDBOARD BOX ACCORDING TO SYLEX STANDARD [1-S-0011](#)
- CABLE LENGTH TOLERANCES AND FANOUT LENGTH TOLERANCES ACCORDING TO SYLEX STANDARD [1-S-8000](#)
- NO PULLING SYSTEM IS APPLIED. AVAILABLE ON DEMAND
- TRACEBILITY LABEL ON THE CABLE CONTAINS SERIAL NUMBER, DATE OF PRODUCTION AND ASSEMBLY LENGTH

**ORDERING CODE**



REVISION-DATE: A - 12.05.2020 CHANGE: New drawing	DRAWN BY, DATE: M.Ruzbarsky 2020/05/12	TITLE: 12f 1xMTP - 4xLCD Uniboot Duralino fanout QSFP/SFP		
REVISION-DATE: _____ CHANGE: _____	CHECKED BY, DATE: Pavlov/Matúš	PRODUCT SPECIFICATION: -	DIMENSIONS IN MM UNLESS SPECIFIED	SCALE: NO SCALE
REVISION-DATE: X - DD.MM.YYYY CHANGE: _____	APPROVED BY, DATE: I.Brestovanská	PRODUCT NUMBER: Xo8X-XXU-xxx-Q	DRAWING NUMBER: 1-W-2858_1_A	SHEET NO. 1 of 1
		THIS DRAWING CONTAINS INFORMATION THAT IS PROPRIETARY TO SYLEX s.r.o AND ANY USE WITHOUT PRIOR WRITTEN PERMISSION IS PROHIBITED		SIZE A3