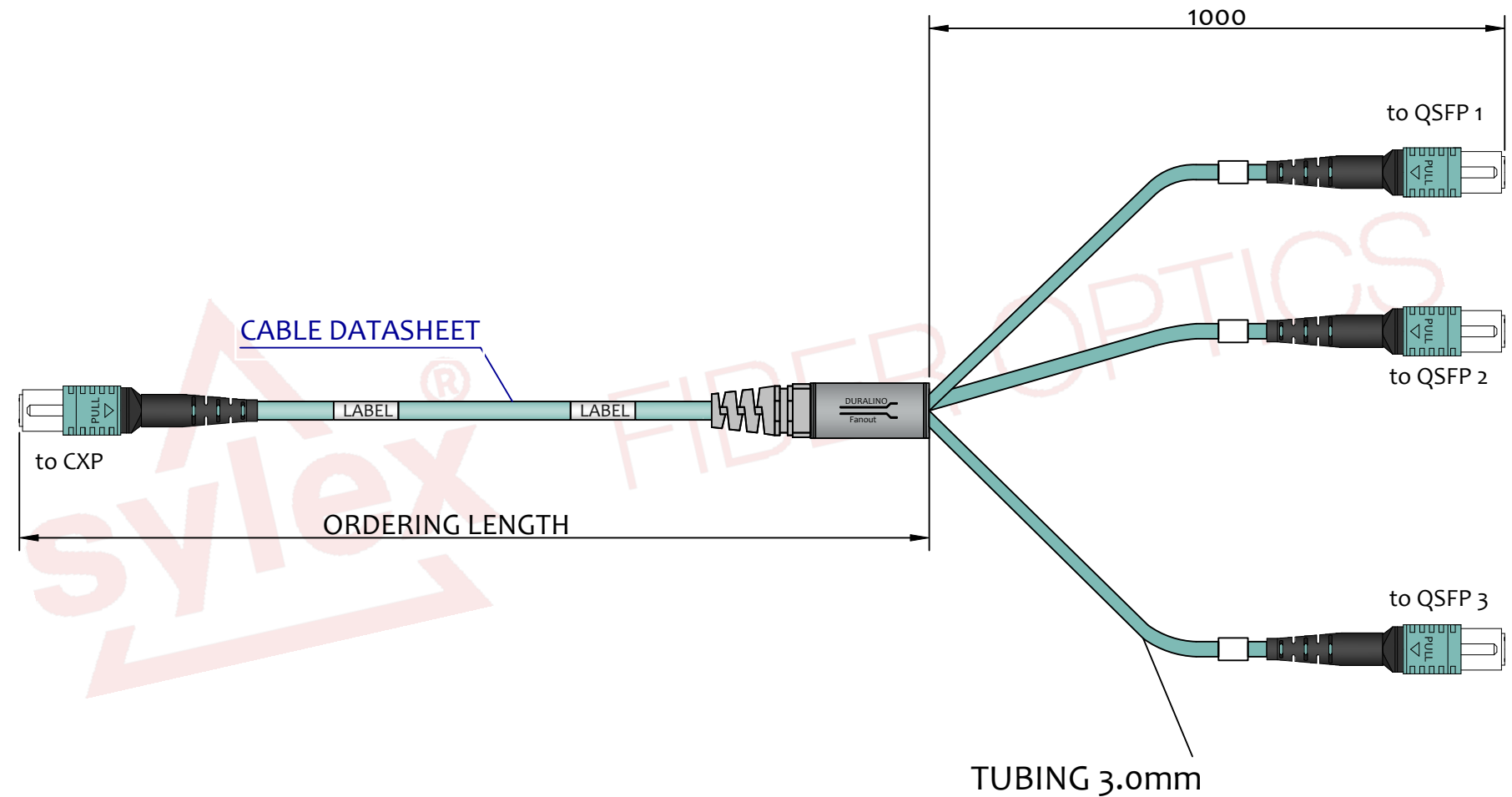


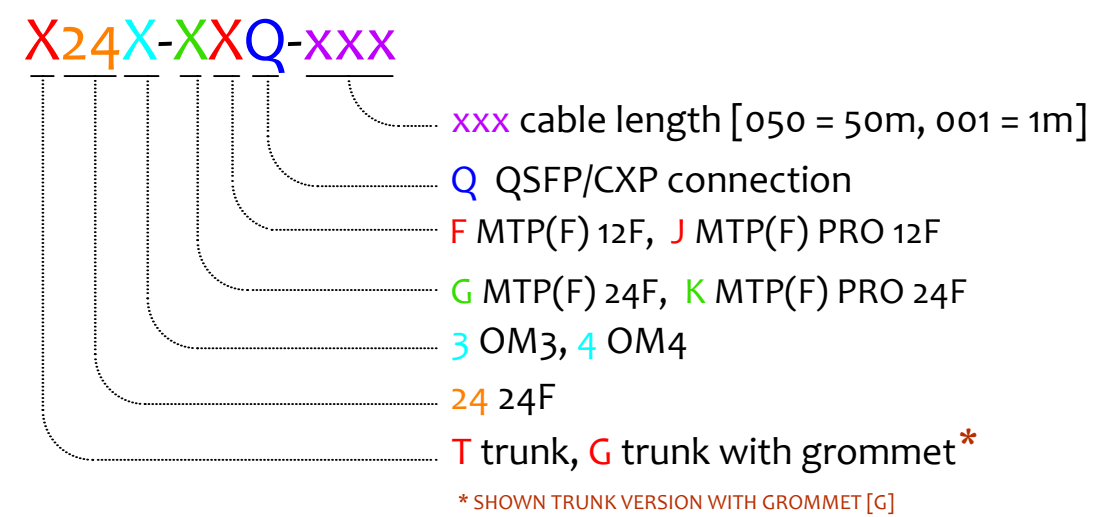
MTP PRO connector optional

CONNECTION TABLE			
MTP(F) 24F CONNECTOR	MTP(F) 12F CONNECTOR		
MTP - CXP/CFP	QSFP 1	QSFP 2	QSFP 3
1	12		
2	11		
3	10		
4	9		
5		12	
6		11	
7		10	
8		9	
9			12
10			11
11			10
12			9

CONNECTION TABLE			
MTP(F) 24F CONNECTOR	MTP(F) 12F CONNECTOR		
MTP - CXP/CFP	QSFP 1	QSFP 2	QSFP 3
13	1		
14	2		
15	3		
16	4		
17		1	
18		2	
19		3	
20		4	
21			1
22			2
23			3
24			4



ORDERING CODE



NOTES:

- 1 - DUST CAPS ARE INCLUDED, BUT NOT SHOWN
- 2 - CUMULATIVE TEST REPORT OF MEASURED IL AND RL VALUES SENT ON DEMAND IN ELECTRONIC FORM
- 3 - OM3, OM4 - IL<0.35dB , RL>20dB , 850nm & 1300nm
IL CONNECTOR VALUE ACCORDING IEC 61300-3-4 method B
RL CONNECTOR VALUE ACCORDING IEC 61300-3-6
- 4 - VISUAL ASPECT CHECK ACCORDING TO IEC 61300-3-35.
END FACE GEOMETRY ACCORDING TO TELCORDIA 63267-3-31
- 5 - ASSEMBLY WITH LENGTH BELOW 50MTRS PACKED IN SEALED PE BAG, BULK PACK IN OUTER CARDBOARD BOX.
LONGER ASSEMBLY THEN 50MTRS COILED ON CARDBOARD REEL, INSERTED IN CARDBOARD BOX ACCORDING TO SYLEX STANDARD [1-S-0011](#)
- 6 - CABLE LENGTH TOLERANCES AND FANOUT LENGTH TOLERANCES ACCORDING TO SYLEX STANDARD [1-S-8000](#)
- 7 - NO PULLING SYSTEM IS APPLIED. AVAILABLE ON DEMAND
- 8 - TRACEBILITY LABEL ON THE CABLE CONTAINS SERIAL NUMBER, DATE OF PRODUCTION AND ASSEMBLY LENGTH

REVISION-DATE: A - 12.05.2020 New drawing	CHANGE:	DRAWN BY, DATE: M. Ruzbarky 2020/05/12	TITLE: 24f 1xMTP - 3xMTP Duralino fanout CXP/QSFP		
REVISION-DATE:	CHANGE:	CHECKED BY, DATE: Pavlov/Matúš	PRODUCT SPECIFICATION: -	DIMENSIONS IN MM UNLESS SPECIFIED	SCALE: NO SCALE
REVISION-DATE: X - DD.MM.YYYY	CHANGE:	APPROVED BY, DATE: I.Brestovanská	PRODUCT NUMBER: X24X-XXQ-xxx	DRAWING NUMBER: 1-W-1987_1_A	SHEET NO. 1 of 1
			THIS DRAWING CONTAINS INFORMATION THAT IS PROPRIETARY TO SYLEX s.r.o AND ANY USE WITHOUT PRIOR WRITTEN PERMISSION IS PROHIBITED		
A			SIZE A3		