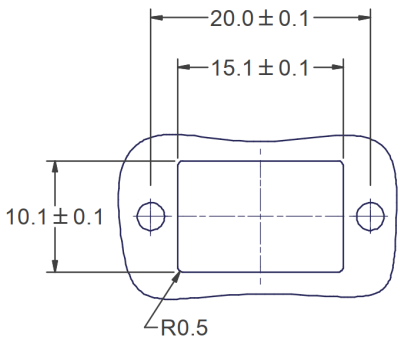
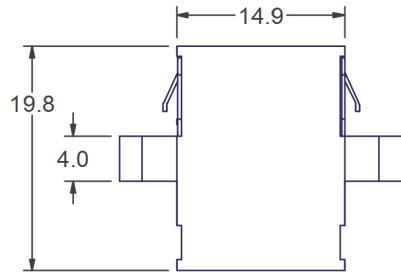
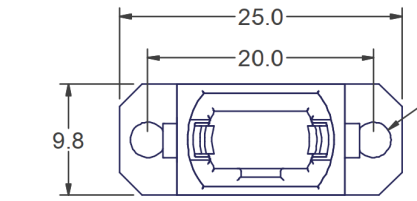
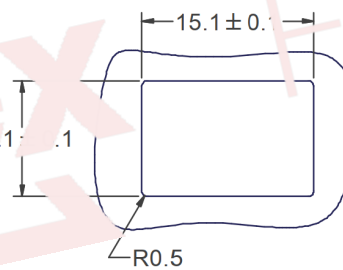
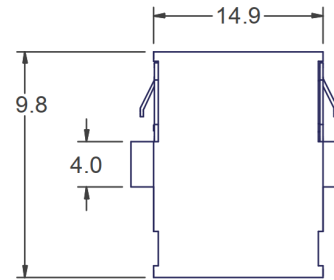
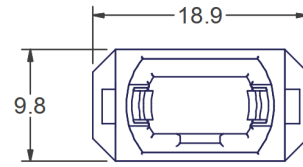


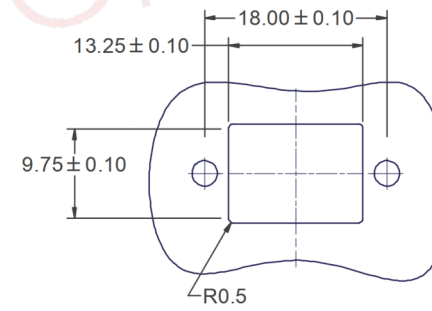
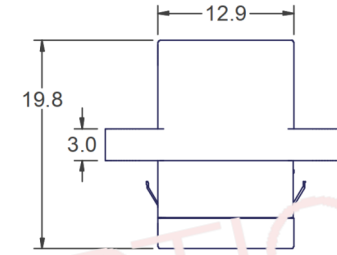
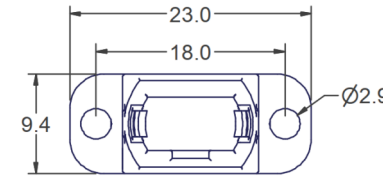
MTP ADAPTER
(full flange, standard footprint)



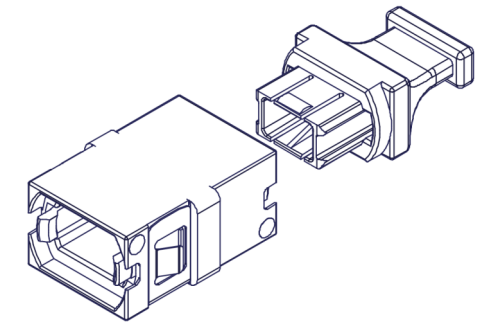
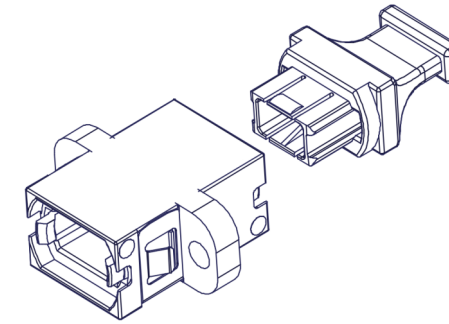
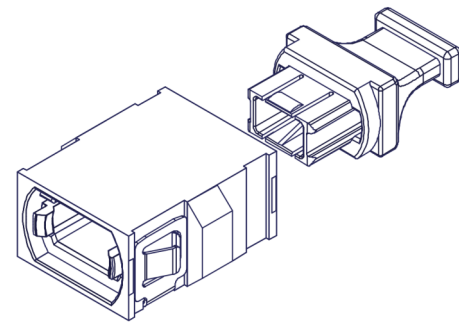
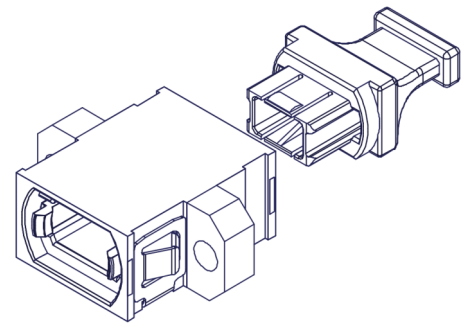
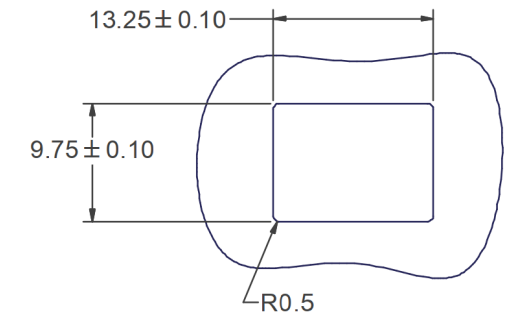
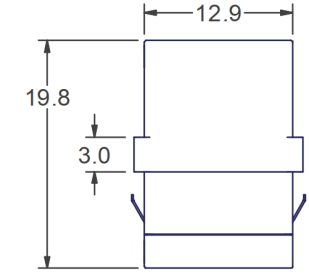
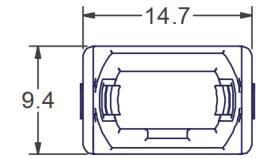
MTP ADAPTER
(reduced flange, standard footprint)



MTP ADAPTER
(full flange, SC footprint)



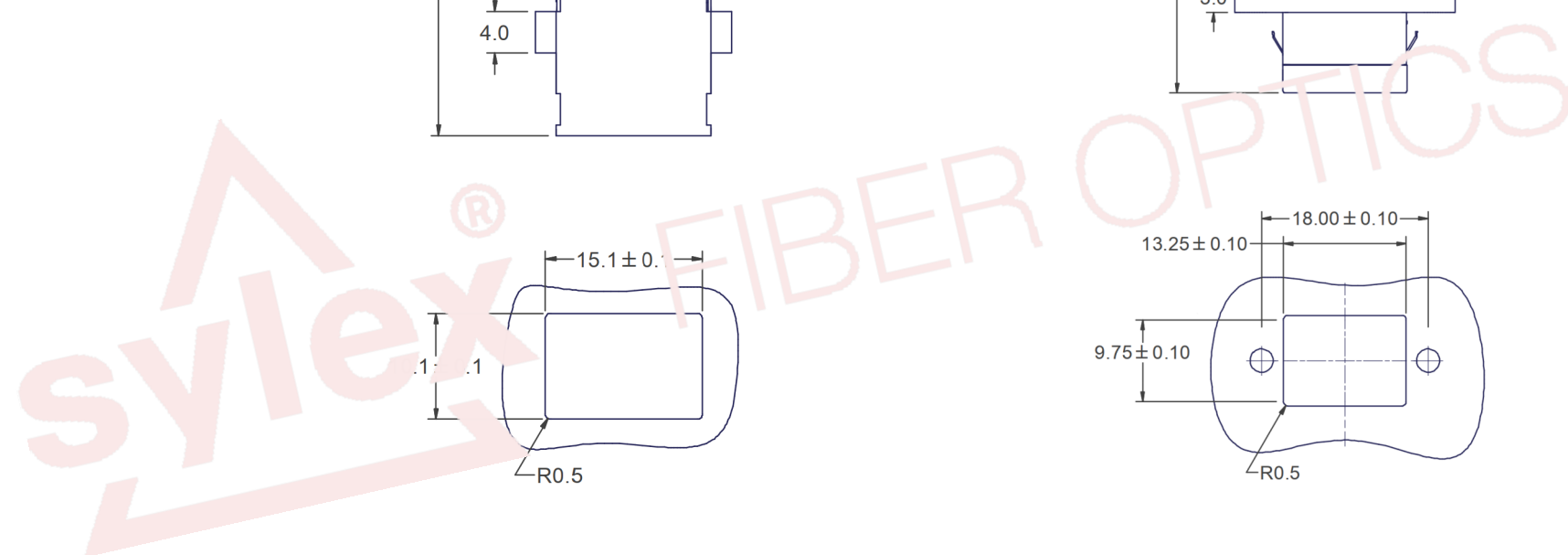
MTP ADAPTER
(reduced flange, SC footprint)



ORDERING CODE

AXMT-XXX-XXN

- W w FLANGE, O w/o FLANGE
 - U KU/KU, D KU/KD
 - S SC FOOTPRINT, T STANDARD FOOTPRINT
 - AQ AQUA, GR GREEN, MA MAGENTA, BL BLACK, GY GREY *
 - MT MTP
 - S SIMPEX, D DUPLEX
 - A ADAPTER
- * OTHER TYPES ON REQUEST



REVISION-DATE: A - 04.06.2019	CHANGE:	DRAWN BY, DATE: M.Ruzbarsky 2019/06/04	TITLE: MTP ADAPTERS		
New drawing		CHECKED BY, DATE: Pavlov/Matúš			
REVISION-DATE:	CHANGE:	APPROVED BY, DATE: I.Brestovanská	PRODUCT SPECIFICATION: -	DIMENSIONS IN MM UNLESS SPECIFIED	SCALE: NO SCALE
REVISION-DATE: X - DD.MM.YYYY	CHANGE:	PRODUCT NUMBER: AXMT-XXX-XXN	DRAWING NUMBER: 1-S-7428_1_A	SHEET NO. 1 of 1	
			THIS DRAWING CONTAINS INFORMATION THAT IS PROPRIETARY TO SYLEX s.r.o AND ANY USE WITHOUT PRIOR WRITTEN PERMISSION IS PROHIBITED		
			SIZE A3		