

PST-01 Pre-strain setup tool for SWS-01 sensors

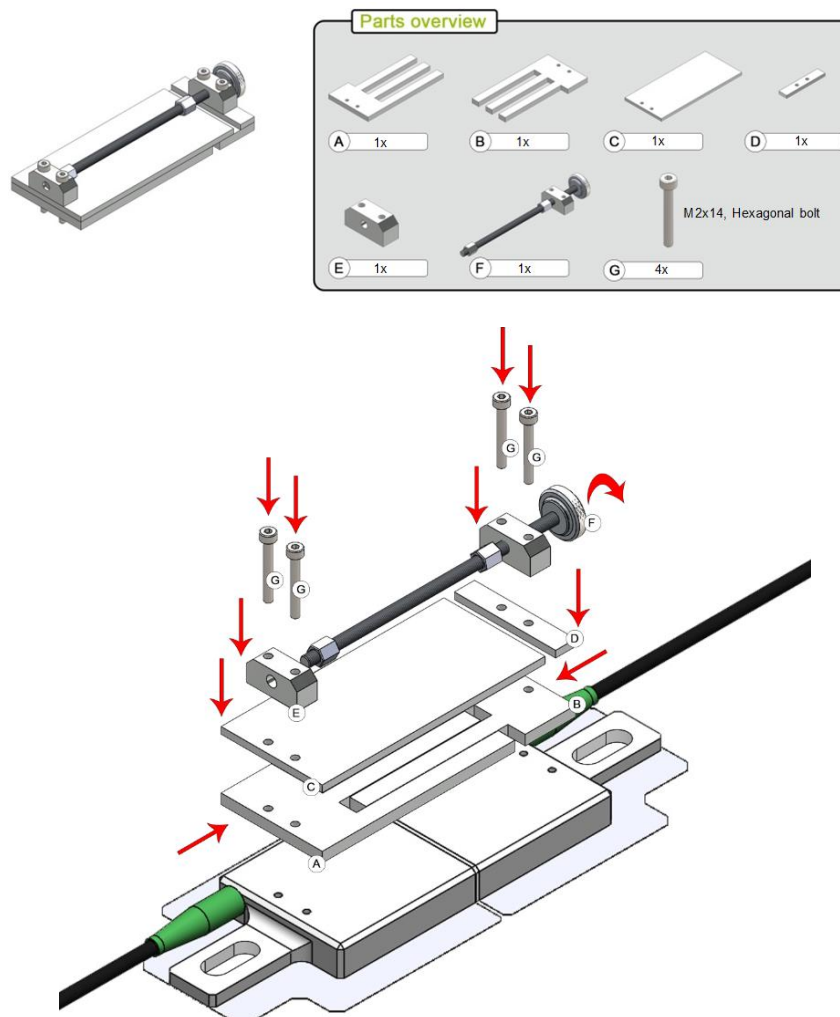
Basic characteristic

PST-01 is reusable tool to set up pre-strain on the SWS-01. Pre-strain is set before the sensor is spot-welded or mounted to measured object. After installation, the PST-01 is removed from the sensor and can be used for another SWS-01 installation.



- ▲ PST-01 provides safely pre-straining the SWS-01 sensor up to $4000\mu\epsilon$.
- ▲ Easy to assembly or disassembly within a fragment of time.

Mount the PST-01 on the SWS-01 sensor as shown in below Figure – follow the alphabetical order of all parts listed in “Parts overview”. For disassembly reverse the alphabetical order. All tools are included inside the PST-01 package.



PST-01 Pre-strain setup tool for SWS-01 sensors

Physical properties

Material	Stainless steel SS316L
Dimensions (L x W x H) ¹⁾	70 x 30 x 15mm
Weight	100g

¹⁾ For further dimensions details see the product drawing

Packaging

Typically integrated into the sensor packaging / Included in sensor's cardboard box

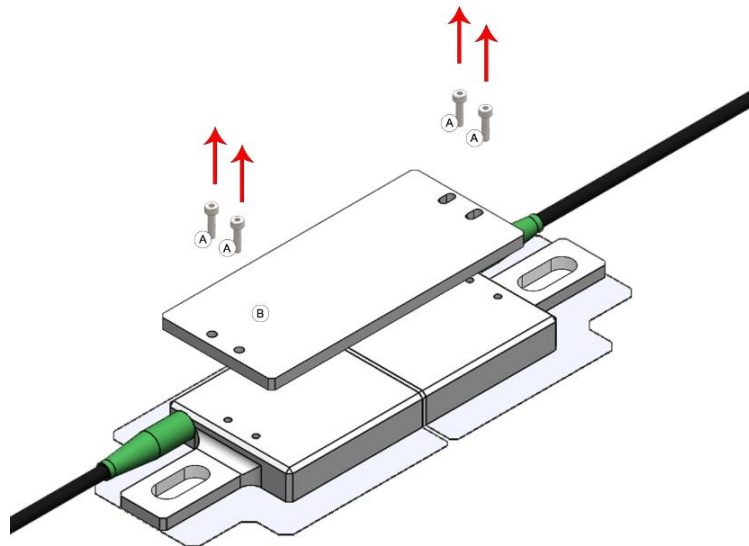
Quality statement

All products are 100% tested and calibrated at SYLEX
 All products are manufactured according to ISO 9001:2008 and ISO 14001:2004

Note:

SWS-01 comes with preinstalled Transportation fixture – this is to protect the sensor during transportation and initial manipulation. This transportation fixture needs to be removed from the sensor before installation.

Remove the screws and top plate from SWS-01 as shown in below Figure.



For more information contact our sales team at sales@sylex.sk

* Specifications are subject to change without notice