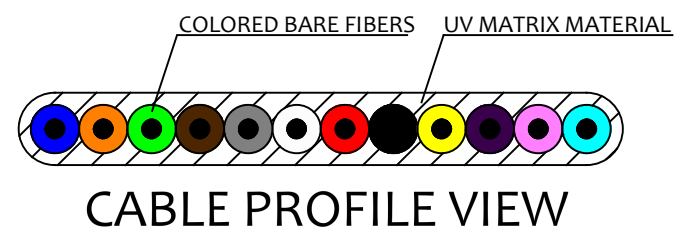


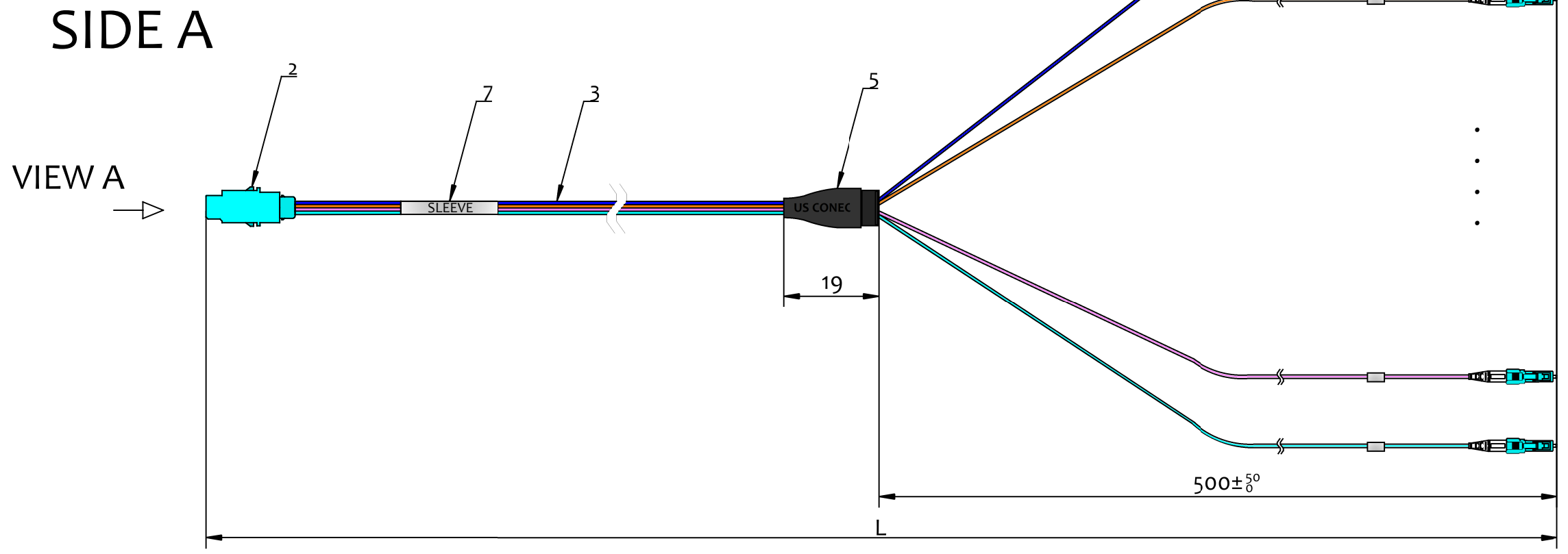
PRODUCT NUMBER:	L[m]	MXC IL	LC IL
1-110-900-120-680/A1/xxxx	$L \pm 0^{.XX}$	at 850 nm	
		1.2 dB	0.25 dB

XXXX IN THE PN REPRESENTS LENGTH OF ASSEMBLY AND VARIES FOR EACH LENGTH

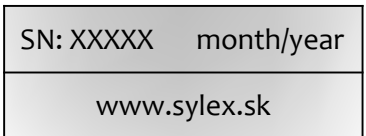


LENGTH TOLERANCE	
Length interval(m)	Tolerance(m)
+1	+ 0,06
	- 0

MXC	CONNECTION	LC
SIDE A	FIBER COLOUR	SIDE B
1	-	-
2	-	-
3	BLUE	1
4	ORANGE	2
5	GREEN	3
6	BROWN	4
7	GREY	5
8	WHITE	6
9	RED	7
10	BLACK	8
11	YELLOW	9
12	PURPLE	10
13	PINK	11
14	AQUA	12
15	-	-
16	-	-



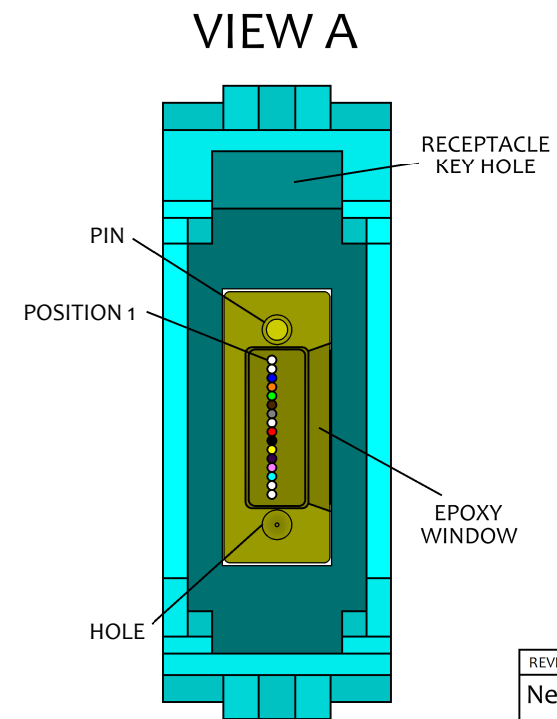
VN-035  
MARKING SLEEVE (POS. 7)



SLEEVE (POS. 4)



WIRE NUMBER (01-12)



BOM		
NO:	DESCRIPTION	QTY
1	LC 0.9mm CONNECTOR	12
2	MXC RECEPTACLE CONNECTOR	1
3	BARE RIBBON OM3 12F	L
4	MARKING SLEEVE 15mm	12
5	BREAKOUT POINT	1
6	TUBING, TRANSPARENT 900µm	12
7	MARKING SLEEVE, VN-035	1

- NOTES:
- DUST CAPS ARE INCLUDED BUT NOT SHOWN
  - VISUAL ASPECT OF LC CONNECTOR CHECK ACCORDING TO IEC 61300-3-35. END FACE GEOMETRY ACCORDING TO TELCORDIA GR-326
  - CUMULATIVE TEST REPORT SYX-CTR-01 OF MEASURED IL VALUES SENT ON DEMAND IN ELECTRONIC FORM
  - SYLEX-SX-O LABEL ON PRODUCT PACKAGING AND OUTER CARDBOARD BOX
  - ASSEMBLY PACKED ACCORDING TO PACKAGING SPECIFICATION: 1-B-1531

REVISION-DATE: A - 18.01.2016	CHANGE:	DRAWN BY, DATE: M.Ruzbarsky 2016/01/18	TITLE: 01x MXC RECEPTACLE - 12x LC/PC 12F OM3 FANOUT	
New drawing		CHECKED BY, DATE: Pavlov/Matus -	PRODUCT SPECIFICATION: ID: 429	DIMENSIONS IN MM UNLESS SPECIFIED
REVISION-DATE: X - DD.MM.YYYY	CHANGE:	APPROVED BY, DATE: I.Brestovanska -	SCALE: NO SCALE	
XXXX		PRODUCT NUMBER: 1-110-900-120-680/xx/xxxx	DRAWING NUMBER: 1-S-4448_1_A	SHEET NO. 1 of 1
REVISION-DATE: X - DD.MM.YYYY	CHANGE:	THIS DRAWING CONTAINS INFORMATION THAT IS PROPRIETARY TO SYLEX s.r.o AND SHOULD NOT BE USED WITHOUT WRITTEN PERMISSION		SIZE A3
XXXX		A		