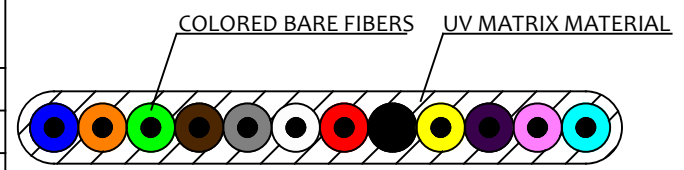


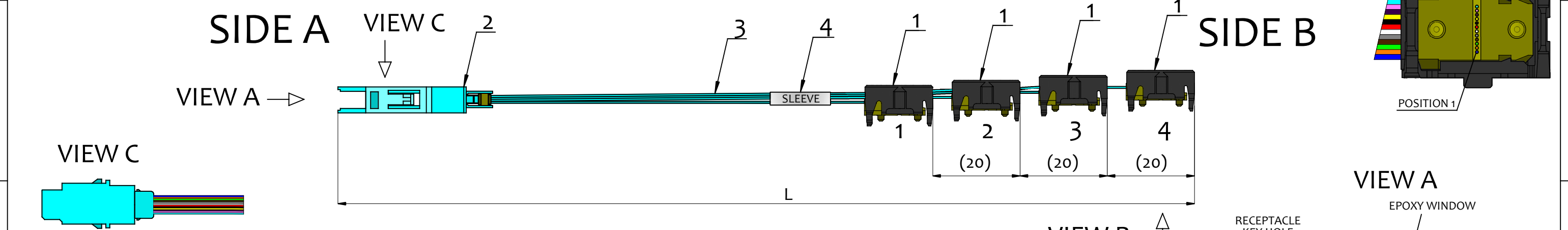
10	9	8	7	6	5	4	3	2	1
PRODUCT NUMBER :		L[m]	MXC IL	PRIZM LT IL	PRODUCT				
		at 850 nm							
1-500-900-480-680/A1/XXXX		$L \pm \begin{smallmatrix} 0.0X \\ 0 \end{smallmatrix}$	1.2 dB	2.0 dB	01x MXC RECEPTACLE - 04x PRIZM LT STANDARD HOUSING				
1-500-900-480-680/A2/XXXX		$L \pm \begin{smallmatrix} 0.0X \\ 0 \end{smallmatrix}$	1.2 dB	2.0 dB	01x MXC RECEPTACLE - 04x PRIZM LT REDUCED HOUSING				
1-520-900-480-680/A3/XXXX		$L \pm \begin{smallmatrix} 0.0X \\ 0 \end{smallmatrix}$	1.2 dB	2.0 dB	01x MXC RECEPTACLE - 04x PRIZM LT LOW PROFILE HOUSING				

XXXX IN THE PN REPRESENTS LENGTH OF ASSEMBLY AND VARIES FOR EACH LENGTH



CABLE PROFILE VIEW

LENGTH TOLERANCE	
Length interval(m)	Tolerance(m)
0 - 1,000	+ 0,01 - 0
+1,001	+ 0,03 - 0



MXC	CONNECTION	PRIZM LT
SIDE A	FIBER COLOUR	SIDE B
ROW A		B4
1	-	-
2	-	-
3	BLUE	1
4	ORANGE	2
5	GREEN	3
6	BROWN	4
7	GREY	5
8	WHITE	6
9	RED	7
10	BLACK	8
11	YELLOW	9
12	PURPLE	10
13	PINK	11
14	AQUA	12
15	-	-
16	-	-

MXC	CONNECTION	PRIZM LT
SIDE A	FIBER COLOUR	SIDE B
ROW B		B3
17	-	-
18	-	-
19	BLUE	1
20	ORANGE	2
21	GREEN	3
22	BROWN	4
23	GREY	5
24	WHITE	6
25	RED	7
26	BLACK	8
27	YELLOW	9
28	PURPLE	10
29	PINK	11
30	AQUA	12
31	-	-
32	-	-

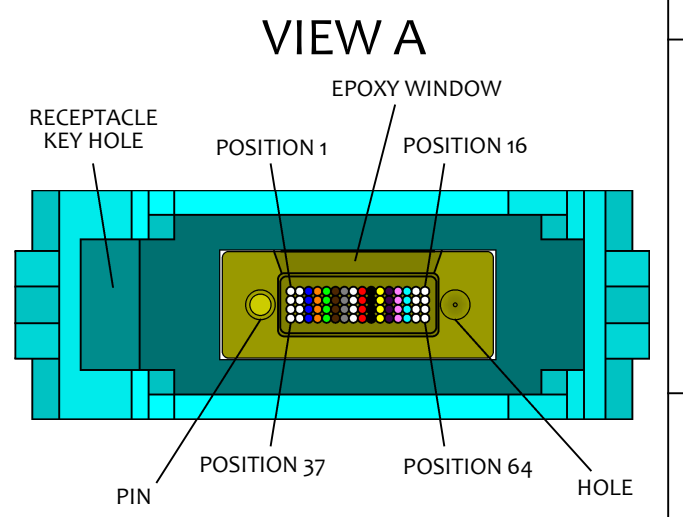
MXC	CONNECTION	PRIZM LT
SIDE A	FIBER COLOUR	SIDE B
ROW C		B2
33	-	-
34	-	-
35	BLUE	1
36	ORANGE	2
37	GREEN	3
38	BROWN	4
39	GREY	5
40	WHITE	6
41	RED	7
42	BLACK	8
43	YELLOW	9
44	PURPLE	10
45	PINK	11
46	AQUA	12
47	-	-
48	-	-

MXC	CONNECTION	PRIZM LT
SIDE A	FIBER COLOUR	SIDE B
ROW D		B1
49	-	-
50	-	-
51	BLUE	1
52	ORANGE	2
53	GREEN	3
54	BROWN	4
55	GREY	5
56	WHITE	6
57	RED	7
58	BLACK	8
59	YELLOW	9
60	PURPLE	10
61	PINK	11
62	AQUA	12
63	-	-
64	-	-

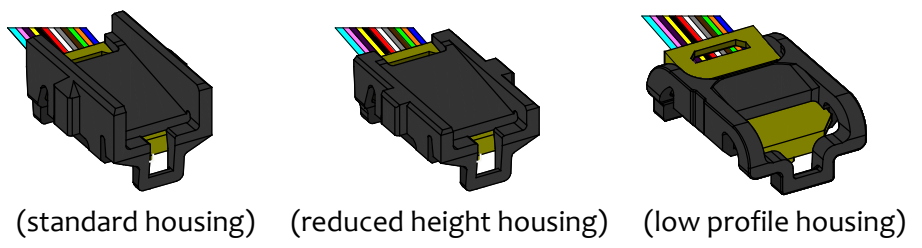
VN-035  
MARKING SLEEVE (POS. 4)

SN: XXXXX month/year

www.sylex.sk



PRIZM LT 3D DETAIL



BOM		
NO:	DESCRIPTION	QTY:
1	PRIZM LT CONNECTOR	4
2	MXC RECEPTACLE CONNECTOR, 48F	1
3	BARE RIBBON OM3 12F, Non-Peelable	4xL
4	MARKING SLEEVE 25mm, VN-035	1

- NOTES:
- DUST CAPS ARE INCLUDED BUT NOT SHOWN
  - SYLEX-SX-O LABEL ON PRODUCT PACKAGING AND OUTER CARDBOARD BOX
  - CUMULATIVE TEST REPORT SYX-CTRT-01 OF MEASURED IL VALUES SENT ON DEMAND IN ELECTRONIC FORM
  - ASSEMBLY PACKED ACCORDING TO PACKAGING SPECIFICATION: 1-B-1531

REVISION-DATE: A - 18.01.2016	CHANGE:	DRAWN BY, DATE: M.Ruzbarsky 18.01.2016	TITLE: 01x MXC RECEPTACLE - 04x PRIZM LT 48F OM3 FANOUT	
REVISION-DATE: X - DD.MM.YYYY	CHANGE:	CHECKED BY, DATE: Pavlov/Matus -	PRODUCT SPECIFICATION: ID: 429	SCALE: NO SCALE
REVISION-DATE: X - DD.MM.YYYY	CHANGE:	APPROVED BY, DATE: I.Brestovanska -	DIMENSIONS IN MM UNLESS SPECIFIED	SHEET NO. 1 of 1
REVISION-DATE: X - DD.MM.YYYY	CHANGE:	PRODUCT NUMBER: 1-5x0-900-480-680/xx/xxxx	DRAWING NUMBER: 1-S-4447_1_A	SIZE A3
THIS DRAWING CONTAINS INFORMATION THAT IS PROPRIETARY TO SYLEX s.r.o AND SHOULD NOT BE USED WITHOUT WRITTEN PERMISSION				