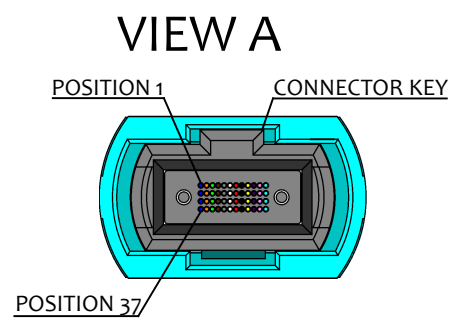
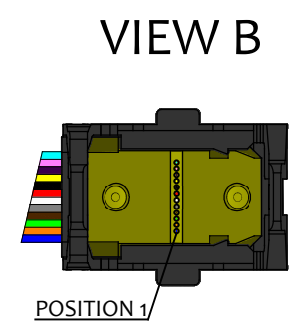
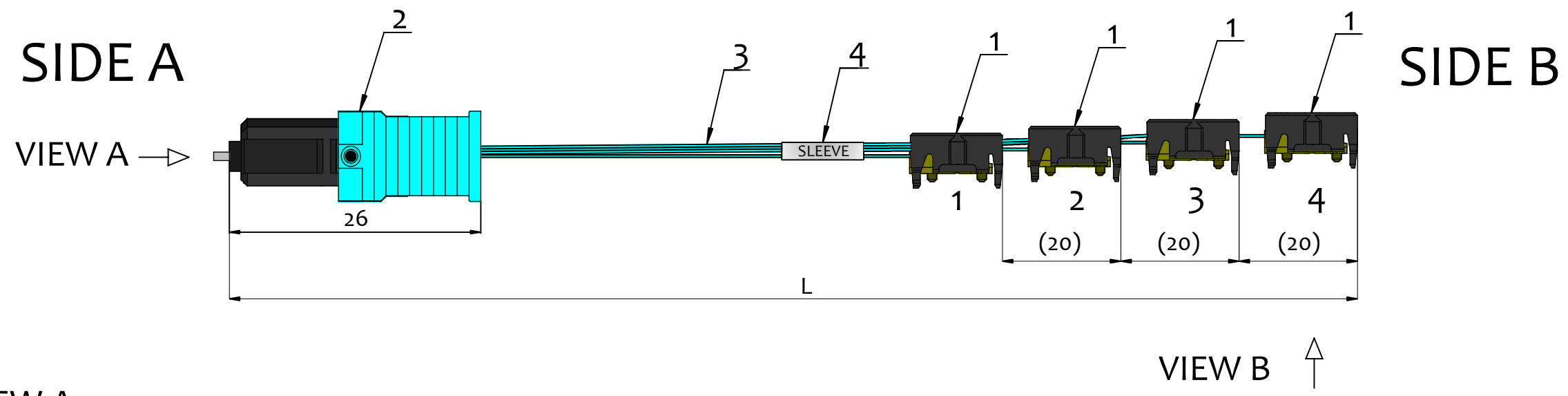
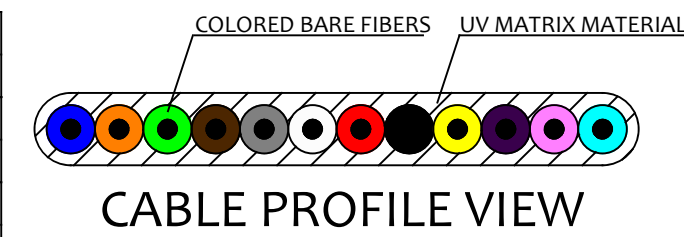


PRODUCT NUMBER :	L[m]	PRIZM LT IL	MTP IL	PRODUCT	
		at 850 nm			
1-500-610-480-680/F1/XXXX	$L \pm 0.00XX$	2.0 dB	0.6 dB	4xPRIZM LT-MTP(female) 48-fiber	Standard housing
1-500-620-480-680/F2/XXXX	$L \pm 0.00XX$	2.0 dB	0.6 dB	4xPRIZM LT-MTP(male) 48-fiber	Reduced height
1-500-610-480-680/F3/XXXX	$L \pm 0.00XX$	2.0 dB	0.6 dB	4xPRIZM LT reduced height-MTP(female) 48-fiber	
1-500-620-480-680/F4/XXXX	$L \pm 0.00XX$	2.0 dB	0.6 dB	4xPRIZM LT reduced height-MTP(male) 48-fiber	Low profile housing
1-520-610-480-680/F1/XXXX	$L \pm 0.00XX$	2.0 dB	0.6 dB	4xPRIZM LT low profile-MTP(female) 48-fiber	
1-520-620-480-680/F2/XXXX	$L \pm 0.00XX$	2.0 dB	0.6 dB	4xPRIZM LT low profile-MTP(male) 48-fiber	

XXXX IN THE PN REPRESENTS LENGTH OF ASSEMBLY AND VARIES FOR EACH LENGTH

LENGTH TOLERANCE	
Length interval(m)	Tolerance(m)
0 - 1,000	+ 0,003 - 0
+1,001	+ 0,01 - 0

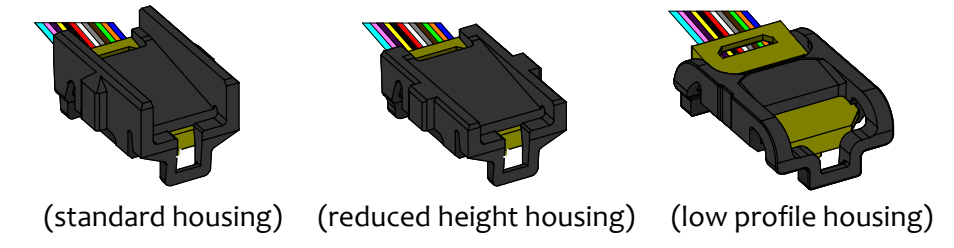


VN-035  
MARKING SLEEVE(POS. 4)

SN: XXXXX	month/year
www.sylex.sk	

CONNECTION						
SIDE A	FIBER COLOUR	SIDE B1	SIDE B2	SIDE B3	SIDE B4	
1,13,25,37	BLUE	1	1	1	1	
2,14,26,38	ORANGE	2	2	2	2	
3,15,27,39	GREEN	3	3	3	3	
4,16,28,40	BROWN	4	4	4	4	
5,17,29,41	GREY	5	5	5	5	
6,18,30,42	WHITE	6	6	6	6	
7,19,31,43	RED	7	7	7	7	
8,20,32,44	BLACK	8	8	8	8	
9,21,33,45	YELLOW	9	9	9	9	
10,22,34,46	PURPLE	10	10	10	10	
11,23,35,47	PINK	11	11	11	11	
12,24,36,48	AQUA	12	12	12	12	

PRIZM LT 3D DETAIL



BOM		
NO:	DESCRIPTION	QTY:
1	PRIZM LT CONNECTOR	4
2	MTP CONNECTOR, 48F	1
3	BARE RIBBON OM3 12F, Non-Peelable	4xL
4	MARKING SLEEVE 25mm	1

- NOTES:
- 1- DUST CAPS ARE INCLUDED BUT NOT SHOWN
  - 2- ASSEMBLY PACKED ACCORDING TO PACKAGING SPECIFICATION: 1-B-1531
  - 3- CUMULATIVE TEST REPORT SYX-CTRT-01 OF MEASURED IL (MTP,PRIZM LT) AND RL (MTP) VALUES SENT ON DEMAND IN ELECTRONIC FORM
  - 4- VISUAL ASPECT OF MTP CONNECTOR CHECK ACCORDING TO IEC 61300-3-35. END FACE GEOMETRY ACCORDING TO TELCORDIA GR-1435
  - 5- MTP MALE CONNECTOR IS SHOWN  
MTP FEMALE CONNECTOR IS WITHOUT GUIDING PINS
  - 6- SYLEX-SX-O LABEL ON PRODUCT PACKAGING AND OUTER CARDBOARD BOX

REVISION-DATE: A - 28.01.2013	CHANGE:	DRAWN BY, DATE: M.Ruzbarsky 28.01.2013	TITLE: 4xPRIZM LT-MTP 48F short OM3 bare ribbon assembly	
New drawing		CHECKED BY, DATE: E.Koza 04.02.2013	PRODUCT SPECIFICATION: ID: 429	DIMENSIONS IN MM UNLESS SPECIFIED
REVISION-DATE: B - 01.08.2014	CHANGE:	APPROVED BY, DATE: I.Golian 04.02.2013	PRODUCT NUMBER: 1-5x0-6x0-480-680/Fx/XXXX	SCALE: NO SCALE
Added information			DRAWING NUMBER: 1-5-1875_1_C	SHEET NO. 1 of 1
REVISION-DATE: C - 24.09.2015	CHANGE:		THIS DRAWING CONTAINS INFORMATION THAT IS PROPRIETARY TO SYLEX s.r.o AND SHOULD NOT BE USED WITHOUT WRITTEN PERMISSION	
Length tolerance has changed			SIZE A3	