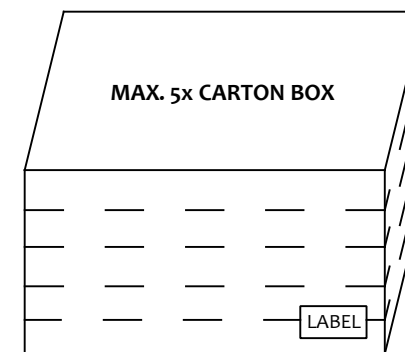


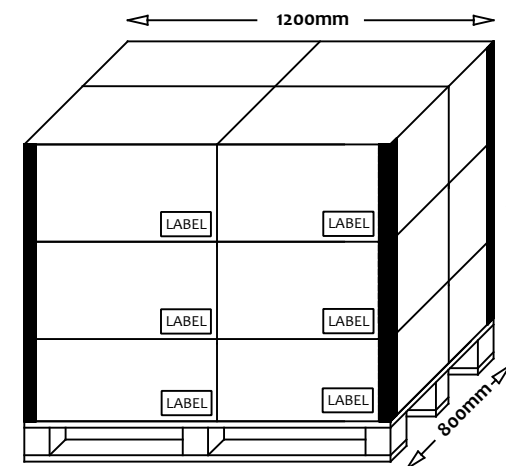
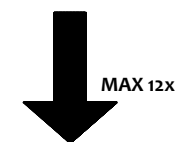
CARTON BOX (NO LABEL)



MASTER CARTON BOX
(537x347x294mm, 5VL, no logo)



LABEL VISIBLE FROM
SIDE OF THE PALETTE



MAX. 3 LAYERS
PER PALLETTE

4x MASTER CARTON
BOX IN EACH LAYER

REVISION-DATE: A - 03.03.2016 New drawing	CHANGE:	DRAWN BY, DATE: M.Ruzbarsky 2016/03/03	TITLE: Packaging specification for 1U Patchpanel		
REVISION-DATE: X - DD.MM.YYYY XXX	CHANGE:	CHECKED BY, DATE: Pavlov/Matus 2016/03/03	PRODUCT SPECIFICATION: -	DIMENSIONS IN MM UNLESS SPECIFIED	SCALE: NO SCALE
REVISION-DATE: X - DD.MM.YYYY XXX	CHANGE:	APPROVED BY, DATE: I.Brestovanska 2016/03/03	PRODUCT NUMBER: -	DRAWING NUMBER: 1-B-3840_1_A	SHEET NO. 1 of 1
			THIS DRAWING CONTAINS INFORMATION THAT IS PROPRIETARY TO SYLEX s.r.o AND SHOULD NOT BE USED WITHOUT WRITTEN PERMISSION		
		A	SIZE A3		