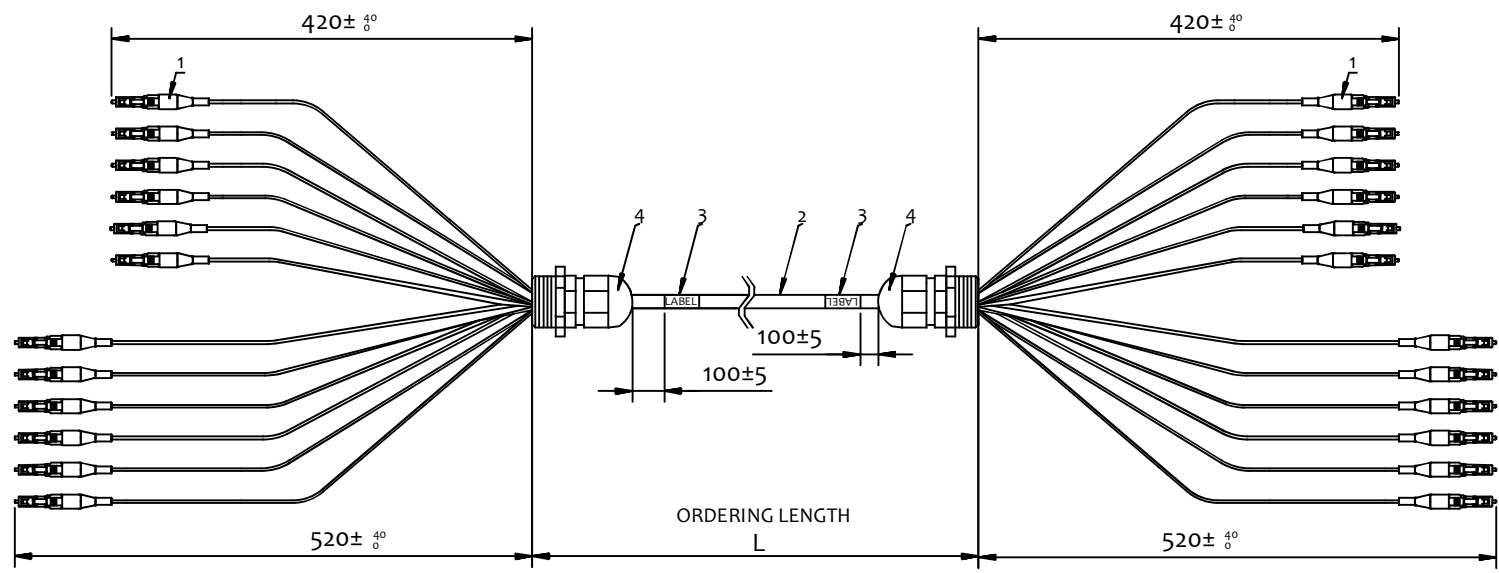


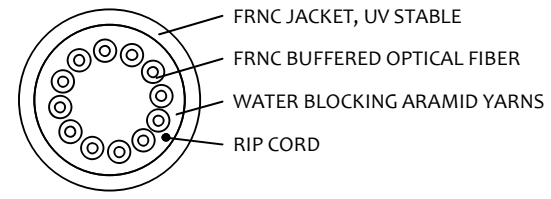
10 9 8 7 6 5 4 3 2 1

F
E
D
C
B
A



CONNECTION TABLE						
FIBRE LENGTH	LC	BOOT COLOUR	LC/APC OS2	LC/UPC OS2	LC/PC OM3	LC/PC OM4
420mm	1	BLUE	GREEN LATCH	BLUE LATCH	AQUA LATCH	MAGENTA LATCH
	2	ORANGE				
	3	GREEN				
	4	BROWN				
	5	GREY				
	6	WHITE				
520mm	7	RED	GREEN LATCH	BLUE LATCH	AQUA LATCH	MAGENTA LATCH
	8	BLACK				
	9	YELLOW				
	10	PURPLE				
	11	PINK				
	12	AQUA				

CABLE PROFILE VIEW



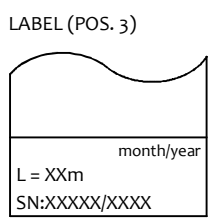
PRODUCT NUMBER:	L[m]	CONN 1	CONN 2	FIBER TYPE	CABLE JACKET COLOUR	LC CONN. BODY
1-112-112-120-111/Fo/XXXX	$L \pm 0.0XX$	LC/UPC	LC/UPC	OS2	YELLOW	BLUE
1-113-113-120-111/Fo/XXXX	$L \pm 0.0XX$	LC/APC	LC/APC	OS2	YELLOW	GREEN
1-110-110-120-61B/Fo/XXXX	$L \pm 0.0XX$	LC/PC	LC/PC	OM3	AQUA	AQUA
1-110-110-120-91D/Fo/XXXX	$L \pm 0.0XX$	LC/PC	LC/PC	OM4	MAGENTA	MAGENTA

XXXX in the PN represents length of assembly and varies for each length

LENGHT TOLERANCE	
Length interval(m)	Tolerance(m)
0 - 0,99	+ 0,06 - 0
1 - 7,99	+ 0,11 - 0
8 - 19,99	+ 0,18 - 0
20 - 49,99	+ 0,23 - 0
50 - 99,99	+ 0,50 - 0
100 - 199,99	+ 1,00 - 0
200 - 299,99	+ 1,50 - 0
> 300	+ 3,00 - 0

NOTES :

- DUST CAPS ARE INCLUDED, BUT NOT SHOWN
- CUMULATIVE TEST REPORT SYX-CTRT-01 OF MEASURED IL AND RL (ONLY OS2 FIBERS) VALUES SENT ON DEMAND IN ELECTRONIC FORM
- OM3, OM4 - IL<0.25dB , 850nm & 1300nm
OS2 - IL<0.25dB, LC/APC - RL>60dB, 1310nm & 1550nm
LC/UPC - RL>50dB, 1310nm & 1550nm
- VISUAL ASPECT CHECK ACCORDING TO IEC 61300-3-35.
END FACE GEOMETRY ACCORDING TO TELCORDIA GR-326
- ALL CONNECTORS BUNDLED AND WRAPPED IN BUBBLE FOIL SLEEVE
- ASSEMBLY WITH LENGTH BELOW 50MTRS PACKED IN SEALED PE BAG, BULK PACK IN OUTER CARDBOARD BOX.
LONGER ASSEMBLY THEN 50MTRS COILED ON CARDBOARD REEL, INSERTED IN CARDBOARD BOX ACCORDING TO SYLEX STANDARD 1-S-0011
- SYLEX-SX-O LABEL ON PRODUCT PACKAGING AND OUTER CARDBOARD BOX
- CONNECTOR BOOT COLOUR SEQUENCE IS ACCORDING TO TIA/EIA-598



BOM		
NO:	DESCRIPTION	QTY
1.	LC 900um CONNECTOR (COLORED BOOTS)	24
2.	MINI-BREAKOUT CABLE 12-FIBER x/125/900	L
3.	WRAP AROUND LABEL	2
4.	CABLE GLAND M20	2
5.	BUBBLE FOIL SLEEVE	NOT SHOWN
		2

REVISION-DATE: A - 14.08.2014	CHANGE:	DRAWN BY, DATE: M.Ruzbarsky 2014/08/14	TITLE: LC-LC 12-fiber FASTLINK	
New drawing		CHECKED BY, DATE: Pavlov/Matus 2014/08/14		
REVISION-DATE: B - 02.12.2015	CHANGE:	APPROVED BY, DATE: I.Brestovanska 2014/08/14	PRODUCT SPECIFICATION: ID - 1288	SCALE: NO SCALE
Changed design		PRODUCT NUMBER: 1-11X-11X-120-X1X/Fo/XXXX	DIMENSIONS IN MM UNLESS SPECIFIED	SHEET NO. 1 of 1
REVISION-DATE: X - DD.MM.YYYY	CHANGE:	XXX	DRAWING NUMBER: 1-S-3206_1_A	
			THIS DRAWING CONTAINS INFORMATION THAT IS PROPRIETARY TO SYLEX s.r.o AND SHOULD NOT BE USED WITHOUT WRITTEN PERMISSION	
			SIZE A3	

10 9 8 7 6 5 4 3 2 1