

10

9

8

7

6

5

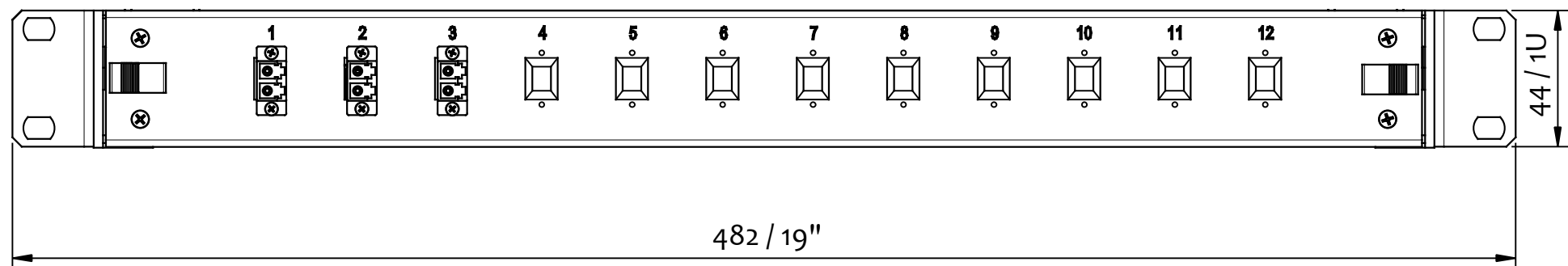
4

3

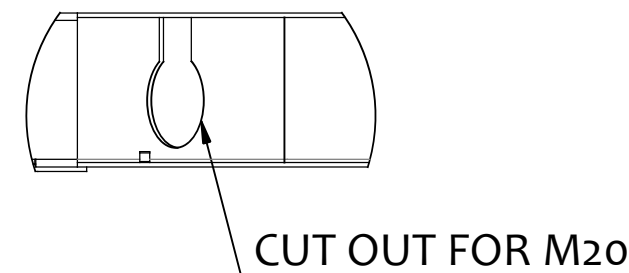
2

1

FRONT VIEW 1U

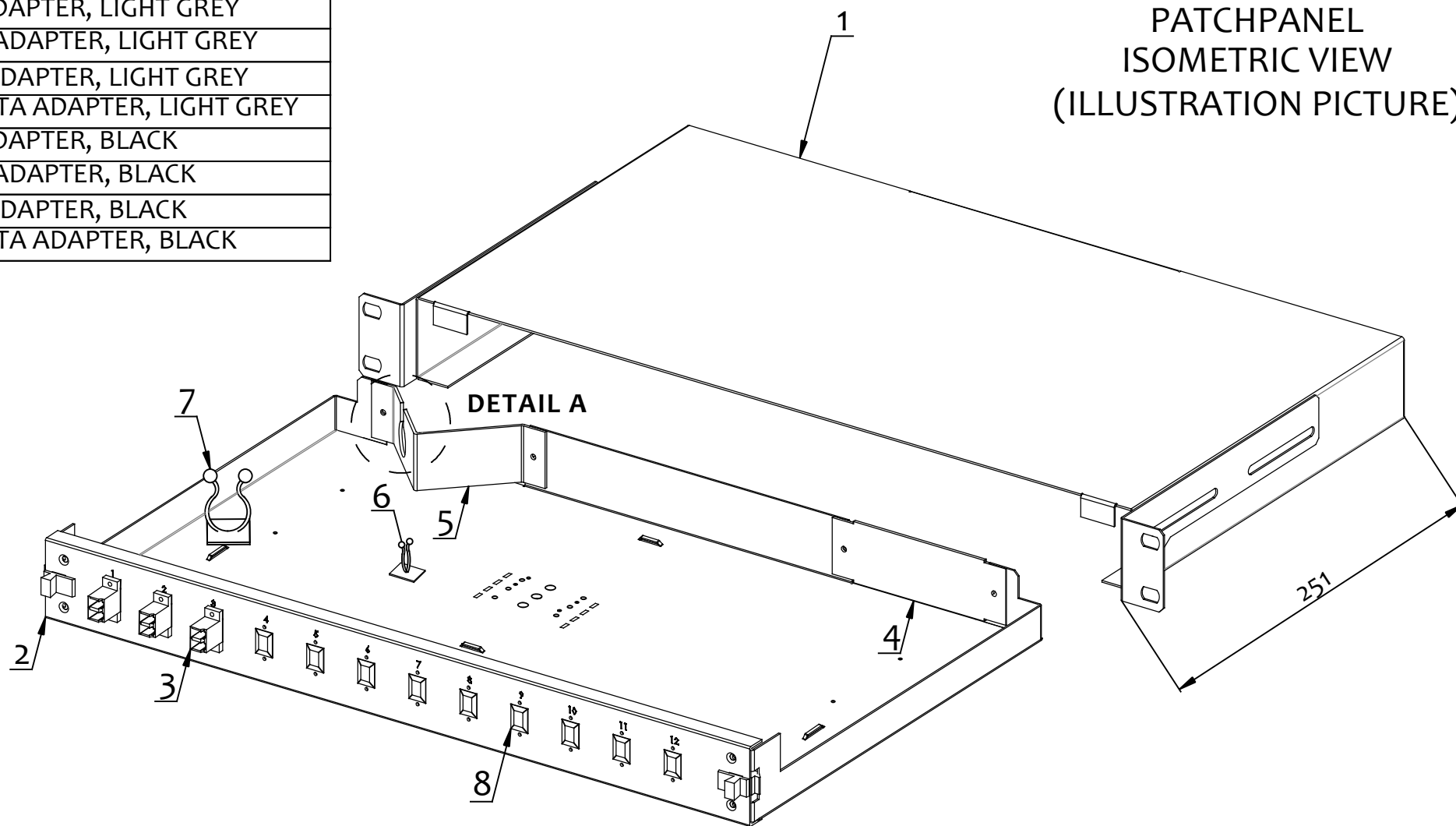


DETAIL A



PRODUCT NUMBER:	PRODUCT DESCRIPTION:
B-160-160-062-310/F0/xxxx	FASTLINK PATCHPANEL 1U 3xLCD BLUE ADAPTER, LIGHT GREY
B-160-160-062-310/F1/xxxx	FASTLINK PATCHPANEL 1U 3xLCD GREEN ADAPTER, LIGHT GREY
B-160-160-062-310/F2/xxxx	FASTLINK PATCHPANEL 1U 3xLCD AQUA ADAPTER, LIGHT GREY
B-160-160-062-310/F3/xxxx	FASTLINK PATCHPANEL 1U 3xLCD MAGENTA ADAPTER, LIGHT GREY
B-160-160-062-311/F0/xxxx	FASTLINK PATCHPANEL 1U 3xLCD BLUE ADAPTER, BLACK
B-160-160-062-311/F1/xxxx	FASTLINK PATCHPANEL 1U 3xLCD GREEN ADAPTER, BLACK
B-160-160-062-311/F2/xxxx	FASTLINK PATCHPANEL 1U 3xLCD AQUA ADAPTER, BLACK
B-160-160-062-311/F3/xxxx	FASTLINK PATCHPANEL 1U 3xLCD MAGENTA ADAPTER, BLACK

PATCHPANEL ISOMETRIC VIEW (ILLUSTRATION PICTURE)



BOM		
NO:	DESCRIPTION	QTY
1.	1U 19" patchpanel body with latches	1
2.	Frontpanel with 12 holes for LC DX adapters	1
3.	LC DUPLEX adapter, with flanges	3
4.	Closed straight back plate	1
5.	Back plate rectangle for M20 cable gland	1
6.	Twister for cable management	1
7.	Twister for cable management, LARGE	1
8.	Blind Cap	9

REVISION-DATE: A - 04.01.2016 - created a new drawing	CHANGE:	DRAWN BY, DATE: J.Kadlec 2016/01/04	TITLE: FASTLINK PATCHPANEL 1U, 3x LCD ADAPTER (metal chassis)	
REVISION-DATE: X - DD.MM.YYYY XXX	CHANGE:	CHECKED BY, DATE: Pavlov/Matus 2016/01/04	PRODUCT SPECIFICATION:	DIMENSIONS IN MM UNLESS SPECIFIED
REVISION-DATE: X - DD.MM.YYYY XXX	CHANGE:	APPROVED BY, DATE: I.Brestovanska 2016/01/04	DRAWING NUMBER: 1-S-4441_1_A	SCALE: NO SCALE
		PRODUCT NUMBER: B-160-160-062-31X/FX/xxxx	DRAWING NUMBER: 1-S-4441_1_A	SHEET NO. 1 of 1
		THIS DRAWING CONTAINS INFORMATION THAT IS PROPRIETARY TO SYLEX s.r.o AND SHOULD NOT BE USED WITHOUT WRITTEN PERMISSION		SIZE A3

10

9

8

7

6

5

4

3

2

1