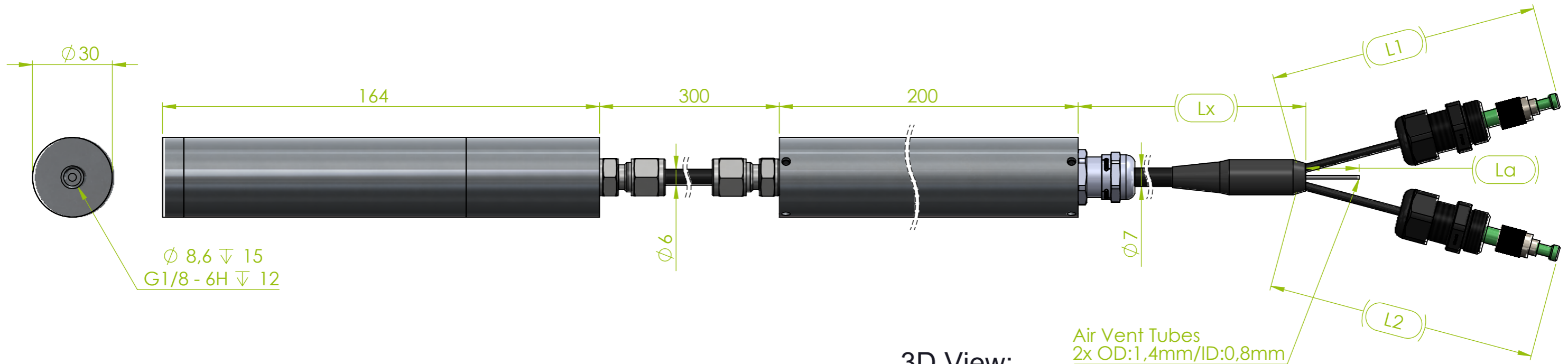


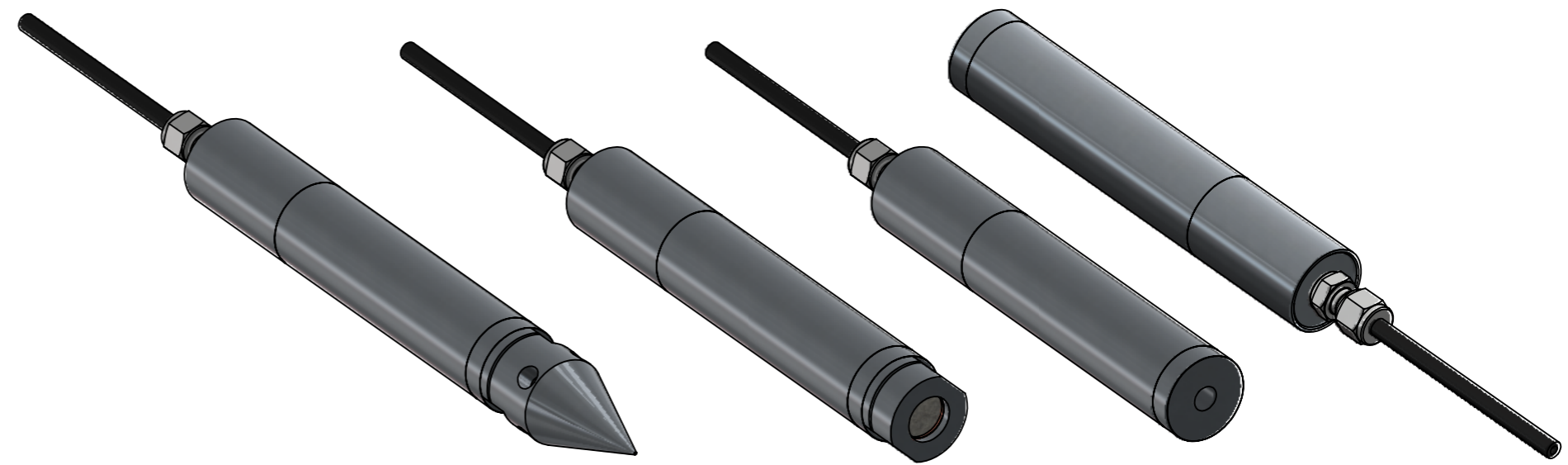
Standard version:



3D View:
Scale: 1:2

Optional accessories:

- Porous stone adapters:



Parameter	Length	Tolerance
L1	1000 mm (standard)	± 60 mm
L2	1000 mm (standard)	± 60 mm
La	200 mm (standard)	± 2 mm
Lx	Optional: Custom-Defined Length	$\pm xx$ mm

TITLE: LLS-01 Liquid level sensor			
REVISION: F	SCALE: 1:1	DRAWN BY, DATE: Branislav Pikus 11.10.2019	
	STATUS: In Work	CHECKED BY, DATE: Branislav Pikus 13.11.2019	
	DIMENSIONS IN MM (UNLESS SPECIFIED)	APPROVED BY, DATE: Tomáš Salát 13.11.2019	
NAME OF CAD FILE: LLS-01 WEB	PRODUCT NUMBER: F-LLS-XXX-BAR-xxx/xx/xxxx	DRAWING NUMBER: LLS-01 WEB	SHEET No: 1 of 1
THIS DRAWING CONTAINS INFORMATION THAT IS PROPERTY OF SYLEX s.r.o AND SHOULD NOT BE USED WITHOUT WRITTEN PERMISSION			SIZE A3